

RANGE COMPOSITION

N 700: a range of over 100 models for the professional caterer designed to guarantee the highest level of performance, reliability, energy saving, safety standards and ergonomic operation. These concepts are reflected in the total modularity of the range that ensures numerous configurations, either free-standing, or bridged. N 700 demonstrates how advanced technology can satisfy the needs of the professional caterer. The models detailed on this sheet are gas grills in half and full module ideal for grilling fish and meats.



178091

N 700

GAS CHAR-GRILLS **ZANUSSI** PROFESSIONAL

FUNCTIONAL AND CONSTRUCTION FEATURES

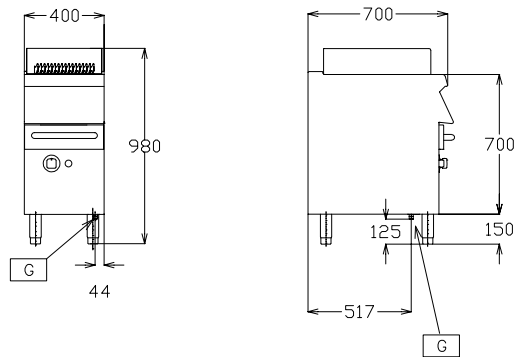
- ◆ Stainless steel burners. Each burner consists of 3 high power gas rails. The gas burners are protected by stainless steel deflection trays to prevent blockage from foreign objects.
- ◆ Each ½ module has a separate control for the burner with a flame failure device.

- ◆ Worktop in 1,5mm stainless steel. Front panel in stainless steel with Scotch Brite finish.
- ◆ Feet in stainless steel adjustable in height 50mm.
- ◆ All models have right-angled side edges to allow flush fitting joints between units.
- ◆ Cast-iron grids with draining channel for fat and stainless steel splashguard on three sides.

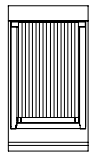
- ◆ Multi purpose cast iron grids:
 - One side for meats
 - One side for fish and vegetables
- ◆ IPX4 water protection.
- ◆ Main connections can be via the rear or the base of the unit.
- ◆ All gas appliances are supplied for use with natural gas or LPG. Conversion jets supplied as standard.

TECHNICAL DATA		
CHARACTERISTICS	MODELS	
	KGG400 178090	KGG800 178091
Power supply	Gas	Gas
External dimensions - mm		
width	400	800
depth	700	700
height	850	850
height adjustment	50	50
Power - kW		
gas	8	16
Net weight - kg.	40	75

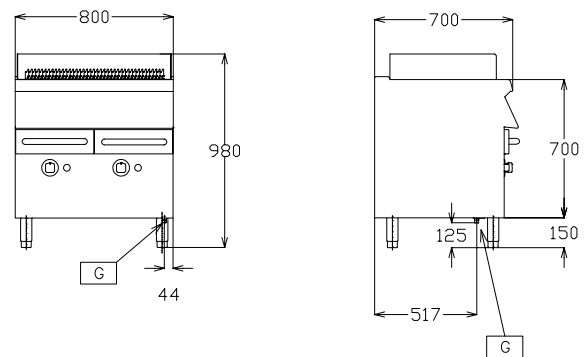
178090



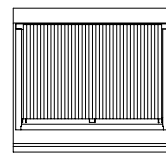
597827100



178091



597827200

**LEGEND**

	KGG400 178090	KGG800 178091
G - Gas connection	1/2"	1/2"

OPTIONAL ACCESSORIES**ACCESSORIES****MODELS**

	KGG400 178090	KGG800 178091
2 SIDE COVERING PANELS FOR TOP-D=700MM	206277	206277
2 SIDE COVERING PANELS H=700 D=700	206000	206000
2 SIDE KICKING STRIPS-CONCRETE INSTALL.	206265	206265
4 FEET FOR CONCRETE INSTALLATION	206210	206210
CHIMNEY COVER 400MM CLOSED	206269	
CHIMNEY COVER 800MM CLOSED		206271
CHIMNEY UPSTAND 400MM	206303	
CHIMNEY UPSTAND 800MM		206304
DRAUGHT DIVERTER WITH 120 MM DIAMETER	206126	
DRAUGHT DIVERTER WITH 150 MM DIAMETER		206132
FLANGED FEET KIT	206136	206136
FLUE CONDENSER FOR 1 MODULE DIAM.150MM		206246
FLUE CONDENSER FOR 1/2 MOD. DIAM.120MM	206310	
FRONT.KICK.STRIP F.CONCRETE INST.1000 MM	206150	206150
FRONT.KICK.STRIP F.CONCRETE INST.1200 MM	206151	206151
FRONT.KICK.STRIP F.CONCRETE INST.1600 MM	206152	206152
FRONT.KICK.STRIP F.CONCRETE INST.200 MM	206146	206146
FRONT.KICK.STRIP F.CONCRETE INST.400 MM	206147	206147
FRONT.KICK.STRIP F.CONCRETE INST.800 MM	206148	206148
FRONTAL HANDRAIL 1200 MM	206191	206191
FRONTAL HANDRAIL 1600 MM	206192	206192
FRONTAL HANDRAIL 400 MM	206166	206166
FRONTAL HANDRAIL 800 MM	206167	206167
FRONTAL KICKING STRIP 1000 MM	206177	206177
FRONTAL KICKING STRIP 1200 MM	206178	206178
FRONTAL KICKING STRIP 1600 MM	206179	206179
FRONTAL KICKING STRIP 200 MM	206174	206174
FRONTAL KICKING STRIP 400 MM	206175	206175
FRONTAL KICKING STRIP 800 MM	206176	206176
LARGE HANDRAIL(PORTIONING SHELF)400 MM	206185	206185
LARGE HANDRAIL(PORTIONING SHELF)800 MM	206186	206186
MATCHING RING FOR FLUE CONDENSER 150DIAM		206133
MATCHING RING-FLUE CONDENSER 120-130DIAM	206127	
PAIR OF SIDE KICKING STRIPS	206249	206249
PRESSURE REGULATOR FOR GAS UNITS	927225	927225
RIGHT AND LEFT SIDE HANDRAILS	206240	206240
S/S GRID+DRAINAGE CHANNELS-FREEST.GRILLS	206287	206287
SCRAPER FOR BARBECUE GRILLS	206299	206299
WATER FILLING TAP-GAS/EL FS GRILLS-400MM	206280	
WATER FILLING TAP-GAS/EL FS GRILLS-800MM		206281



www.zanussiprofessional.com