

## RANGE COMPOSITION

N 700: a range of over 100 models for the professional caterer designed to guarantee the highest level of performance, reliability, energy saving, safety standards and ergonomic operation. These concepts are reflected in the total modularity of the range that ensures numerous configurations, either free-standing, bridged or cantilever. N 700 demonstrates how advanced technology can satisfy the needs of the professional caterer. The models detailed on this sheet are free-standing gas solid tops.



178085+door

# N 700

## FREESTANDING GAS SOLID TOPS **ZANUSSI** PROFESSIONAL

### FUNCTIONAL AND CONSTRUCTION FEATURES

- ◆ Central burner with optimized combustion, maximum power 7 kW, with flame failure device and protected pilot light. Piezo ignition.
- ◆ Durable cast-iron cooking plate with differentiated heating zones, maximum temperature in the centre, 500°C, decreasing towards the perimeter to 200°C.
- ◆ Worktop in 1,5mm stainless steel. Front panel in stainless steel with Scotch Brite finish.
- ◆ All models have right-angled side edges to allow flush fitting between units, eliminating gaps and dirt traps.
- ◆ Gas oven with stainless steel burners, self-stabilizing flame positioned beneath the base plate and a thermostat adjustable from 140° to 300°C.
- ◆ Stainless steel oven chamber with 3 levels of runners to accommodate 2/1GN shelves.
- ◆ Feet in stainless steel adjustable

in height 50mm.

- ◆ Handles on oven in stainless steel
- ◆ Main connections can be via the rear or the base of the unit.
- ◆ All gas appliances are supplied for use with natural gas or LPG. Conversion jets supplied as standard.

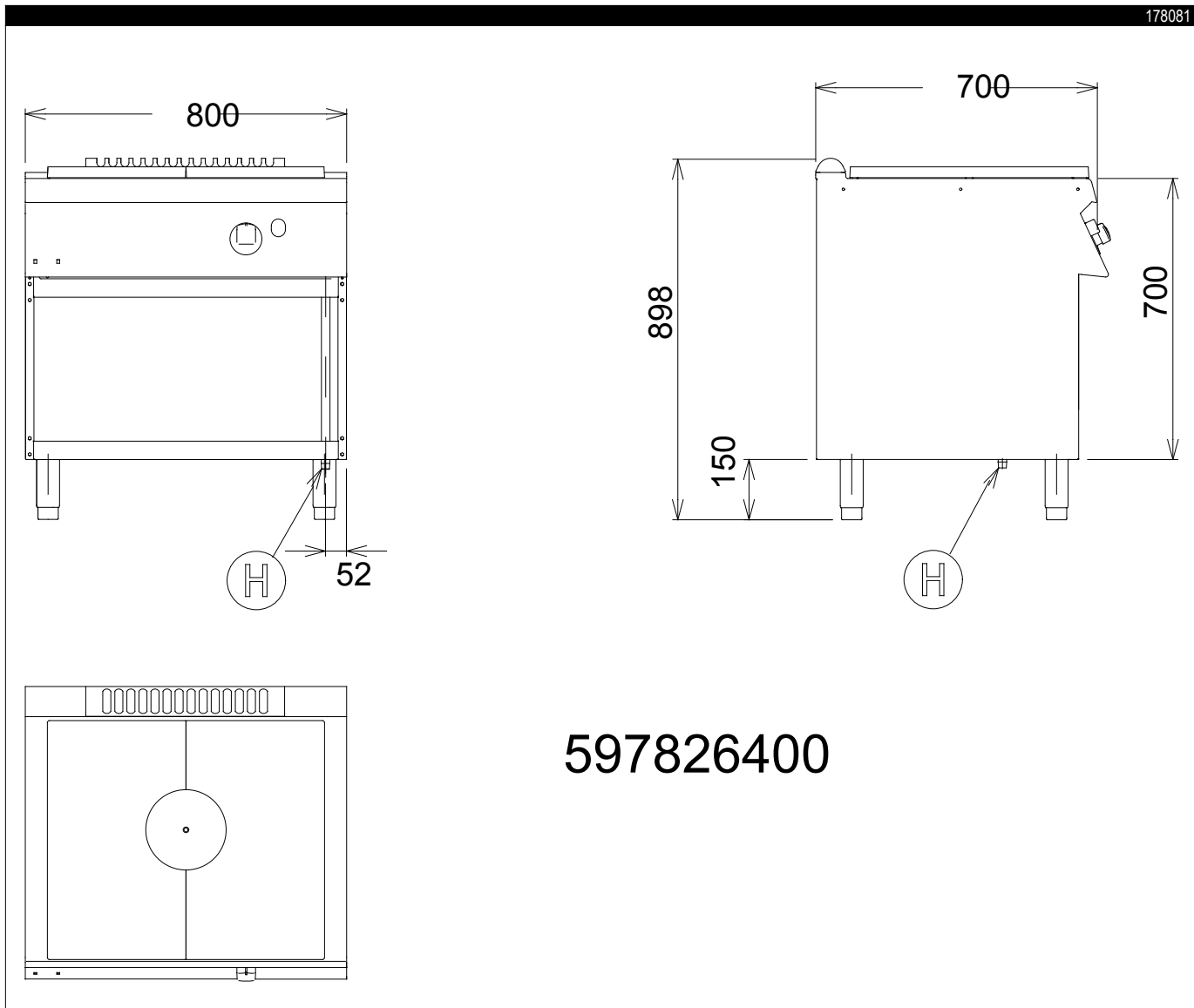
\*In accordance with CE regulations for gas models belonging to Class B11 (power over 14 kW), it is necessary to install a chimney (if installed under a hood) or chimney and draft diverter if the waste gases are vented directly outside

| TECHNICAL DATA               |                   |                    |                     |                    |                      |
|------------------------------|-------------------|--------------------|---------------------|--------------------|----------------------|
| CHARACTERISTICS              | MODELS            |                    |                     |                    |                      |
|                              | KTGV800<br>178081 | KTGFG800<br>178082 | KTG2FG800<br>178083 | KTG2V800<br>178084 | KTG2FG1200<br>178085 |
| Power supply                 | Gas               | Gas                | Gas                 | Gas                | Gas                  |
| External dimensions - mm     |                   |                    |                     |                    |                      |
| width                        | 800               | 800                | 800                 | 800                | 1200                 |
| depth                        | 700               | 700                | 700                 | 700                | 700                  |
| height                       | 850               | 850                | 850                 | 850                | 850                  |
| height adjustment            | 50                | 50                 | 50                  | 50                 | 50                   |
| Solid top area - mm          |                   |                    |                     |                    |                      |
| width                        | 690               | 690                | 340                 | 340                | 690                  |
| depth                        | 590               | 590                | 590                 | 590                | 590                  |
| Oven cavity - mm             |                   |                    |                     |                    |                      |
| width                        |                   | 540                | 540                 |                    | 540                  |
| depth                        |                   | 650                | 650                 |                    | 650                  |
| height                       |                   | 300                | 300                 |                    | 300                  |
| Oven                         |                   |                    |                     |                    |                      |
| heat input - kW              |                   | 6                  | 6                   |                    | 6                    |
| temperature min-max - °C     |                   | 110, 270           | 110, 270            |                    | 110, 270             |
| Storage cupboard - mm        |                   |                    |                     |                    |                      |
| width                        | 680               |                    |                     | 680                | 330                  |
| depth                        | 640               |                    |                     | 640                | 640                  |
| height                       | 420               |                    |                     | 420                | 420                  |
| Solid top heat input - kW    | 7                 | 7                  | 3.8                 | 3.6                | 7                    |
| Back burner dimensions - mm  |                   |                    | Ø 60                | Ø 60               | Ø 60                 |
| Back burners power - kW      |                   |                    | 5.5                 | 5.5                | 5.5                  |
| Front burners dimension - mm |                   |                    | Ø 60                | Ø 60               | Ø 60                 |
| Front burners power - kW     |                   |                    | 5.5                 | 5.5                | 5.5                  |
| Power - kW                   |                   |                    |                     |                    |                      |
| gas                          | 7                 | 13                 | 20.6                | 14.6               | 24                   |
| Net weight - kg.             | 70                | 95                 | 90                  | 70                 | 140                  |
| INCLUDED ACCESSORIES         |                   |                    |                     |                    |                      |
| 2/1 GN CHROME GRID           |                   | 1                  | 1                   |                    | 1                    |

| OPTIONAL ACCESSORIES                     |                   |                    |                     |                    |                      |
|--|-------------------|--------------------|---------------------|--------------------|----------------------|
| ACCESSORIES                              | MODELS            |                    |                     |                    |                      |
|  | KTGV800<br>178081 | KTGFG800<br>178082 | KTG2FG800<br>178083 | KTG2V800<br>178084 | KTG2FG1200<br>178085 |
| 2 DRAWERS FOR OPEN BASE                  | 206255            |                    |                     | 206255             | 206255               |
| 2 SIDE COVERING PANELS FOR TOP-D=700MM   | 206277            | 206277             | 206277              | 206277             | 206277               |
| 2 SIDE COVERING PANELS H=700 D=700       | 206000            | 206000             | 206000              | 206000             | 206000               |
| 2 SIDE KICKING STRIPS-CONCRETE INSTALL.  | 206265            | 206265             | 206265              | 206265             | 206265               |
| 2 SUPPORTS+RUNNERS FOR 4 GN 1/1&2/1 CONT | 206244            |                    |                     | 206244             | 206244               |
| 2/1 GN CHROME GRID                       |                   | 164250             | 164250              |                    | 164250               |
| 4 FEET FOR CONCRETE INSTALLATION         | 206210            | 206210             | 206210              | 206210             | 206210               |
| 4 WHEELS (2 WITH BRAKE)                  | 206188            | 206188             | 206188              | 206188             | 206188               |
| CENTRAL SUPPORT FOR 800MM/1200MM CUPB.   | 206245            |                    |                     | 206245             |                      |
| CHIMNEY COVER 1200MM OPEN-LARGE CHIMNEY  |                   |                    |                     |                    | 206276               |
| CHIMNEY COVER 800MM OPEN-LARGE CHIMNEY   | 206273            | 206273             | 206273              | 206273             |                      |
| DOUBLE BURNER RIBBED PLATE               |                   |                    |                     | 921685             | 921685               |
| DOUBLE BURNER SMOOTH PLATE               |                   |                    |                     | 921684             | 921684               |
| DRAUGHT DIVERTER WITH 120 MM DIAMETER    | 206126            | 206126             | 206126              |                    | 206126               |
| ELECTRIC HEATING KIT FOR CUPBOARDS       | 206259            |                    |                     | 206259             | 206259               |
| FLANGED FEET KIT                         | 206136            | 206136             | 206136              | 206136             | 206136               |
| FLUE CONDENSER                           | 206246            | 206246             | 206246              |                    | 206246               |
| FRONT.KICK.STRIP F.CONCRETE INST.1000 MM | 206150            | 206150             | 206150              | 206150             | 206150               |
| FRONT.KICK.STRIP F.CONCRETE INST.1200 MM | 206151            | 206151             | 206151              | 206151             | 206151               |
| FRONT.KICK.STRIP F.CONCRETE INST.1600 MM | 206152            | 206152             | 206152              | 206152             | 206152               |
| FRONT.KICK.STRIP F.CONCRETE INST.200 MM  | 206146            | 206146             | 206146              | 206146             | 206146               |
| FRONT.KICK.STRIP F.CONCRETE INST.400 MM  | 206147            | 206147             | 206147              | 206147             | 206147               |
| FRONT.KICK.STRIP F.CONCRETE INST.800 MM  | 206148            | 206148             | 206148              | 206148             | 206148               |
| FRONTAL HANDRAIL 1200 MM                 | 206191            | 206191             | 206191              | 206191             | 206191               |
| FRONTAL HANDRAIL 1600 MM                 | 206192            | 206192             | 206192              | 206192             | 206192               |
| FRONTAL HANDRAIL 400 MM                  | 206166            | 206166             | 206166              | 206166             | 206166               |
| FRONTAL HANDRAIL 800 MM                  | 206167            | 206167             | 206167              | 206167             | 206167               |
| FRONTAL KICKING STRIP 1000 MM            | 206177            | 206177             | 206177              | 206177             | 206177               |
| FRONTAL KICKING STRIP 1200 MM            | 206178            | 206178             | 206178              | 206178             | 206178               |
| FRONTAL KICKING STRIP 1600 MM            | 206179            | 206179             | 206179              | 206179             | 206179               |
| FRONTAL KICKING STRIP 200 MM             | 206174            | 206174             | 206174              | 206174             | 206174               |
| FRONTAL KICKING STRIP 400 MM             | 206175            | 206175             | 206175              | 206175             | 206175               |
| FRONTAL KICKING STRIP 800 MM             | 206176            | 206176             | 206176              | 206176             | 206176               |
| LARGE HANDRAIL(PORTIONING SHELF)400 MM   | 206185            | 206185             | 206185              | 206185             | 206185               |
| LARGE HANDRAIL(PORTIONING SHELF)800 MM   | 206186            | 206186             | 206186              | 206186             | 206186               |
| LEFT SIDE DOOR FOR OPEN BASE CUPBOARD    | 206195            |                    |                     |                    | 206195               |
| PAIR OF SIDE KICKING STRIPS              | 206249            | 206249             | 206249              | 206249             | 206249               |
| PRESSURE REGULATOR FOR GAS UNITS         | 927225            | 927225             | 927225              | 927225             | 927225               |
| RIGHT AND LEFT SIDE HANDRAILS            | 206240            | 206240             | 206240              | 206240             | 206240               |
| RIGHT SIDE DOOR FOR OPEN BASE CUPBOARD   | 206194            |                    |                     |                    | 206194               |
| SIDE WALL FOR CUPBOARD                   | 206252            |                    |                     | 206252             | 206252               |
| SINGLE BURNER RADIANT PLATE              |                   |                    | 206264              | 206264             | 206264               |
| SINGLE BURNER RIBBED PLATE               |                   |                    | 206261              | 206261             | 206261               |
| SINGLE BURNER SMOOTH PLATE               |                   |                    | 206260              | 206260             | 206260               |
| WATER COLUMN EXTENSION FOR 700 LINE      | 206291            | 206291             | 206291              | 206291             | 206291               |
| WATER COLUMN WITH SWIVEL ARM             | 206289            | 206289             | 206289              | 206289             | 206289               |



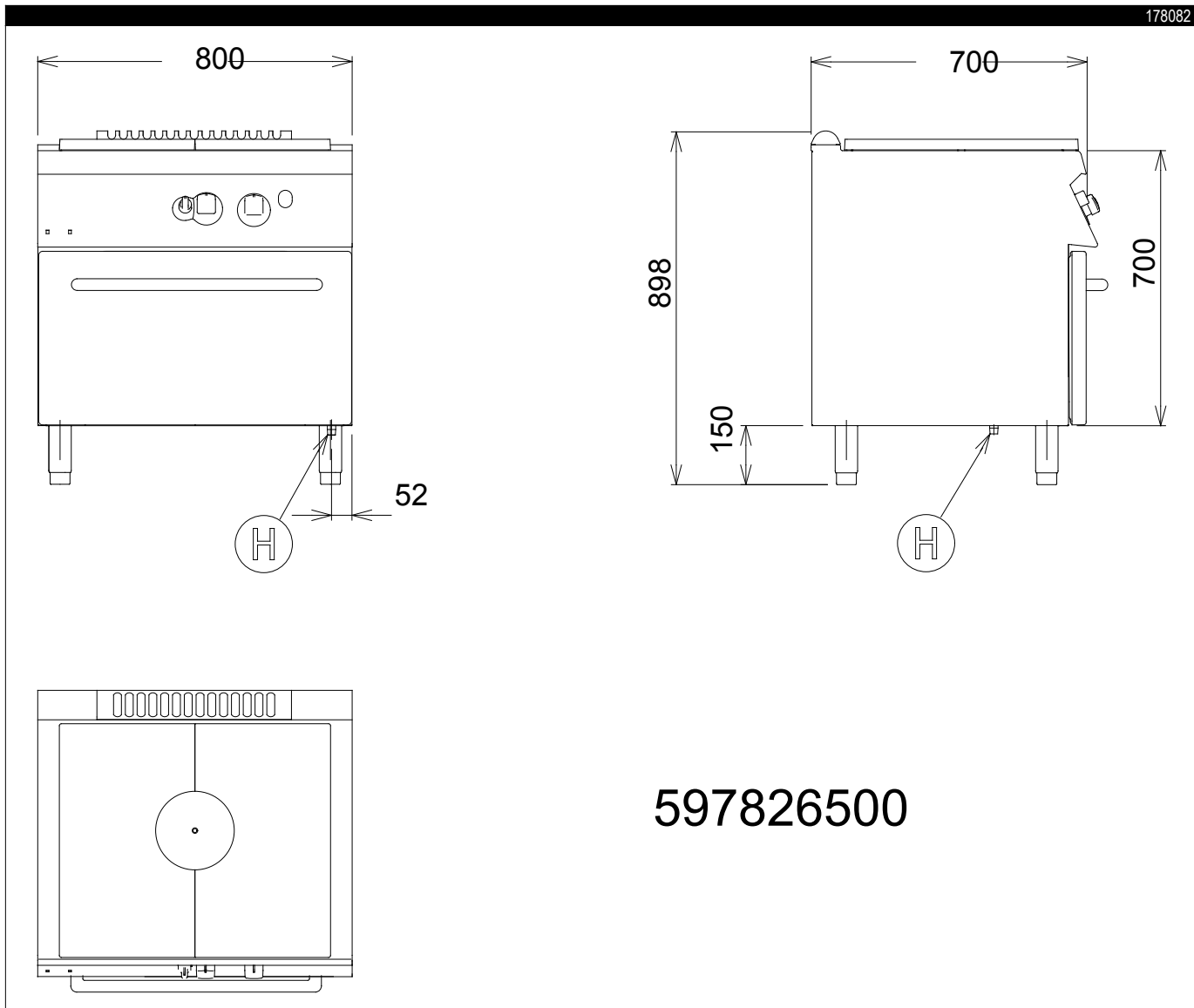
www.zanussiprofessional.it



| LEGEND             |                           |
|--------------------|---------------------------|
| H - Gas connection | KTGV800<br>178081<br>1/2" |



www.zanussiprofessional.it

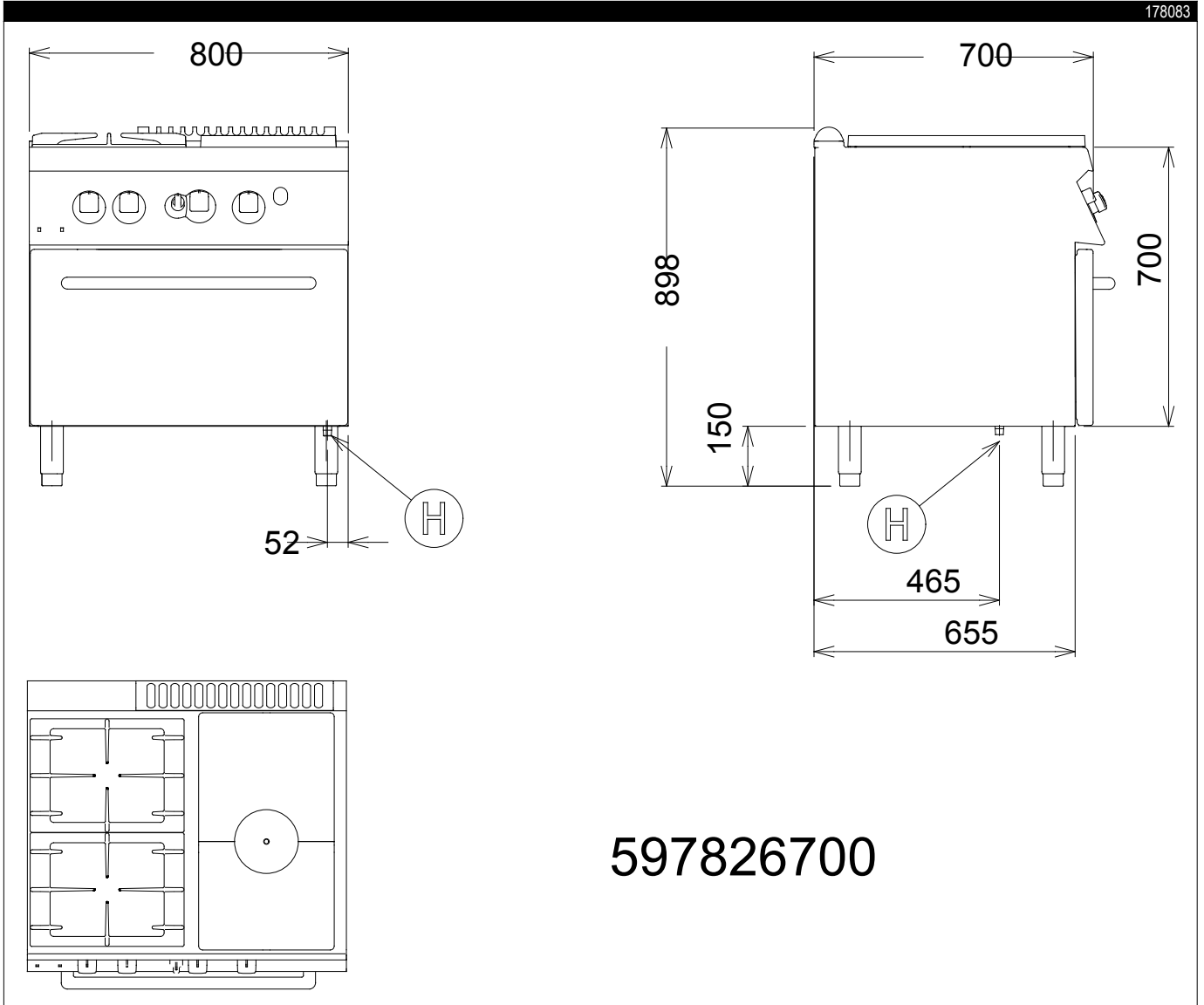


597826500

| LEGEND             |                            |
|--------------------|----------------------------|
| H - Gas connection | KTGFG800<br>178082<br>1/2" |



www.zanussiprofessional.it



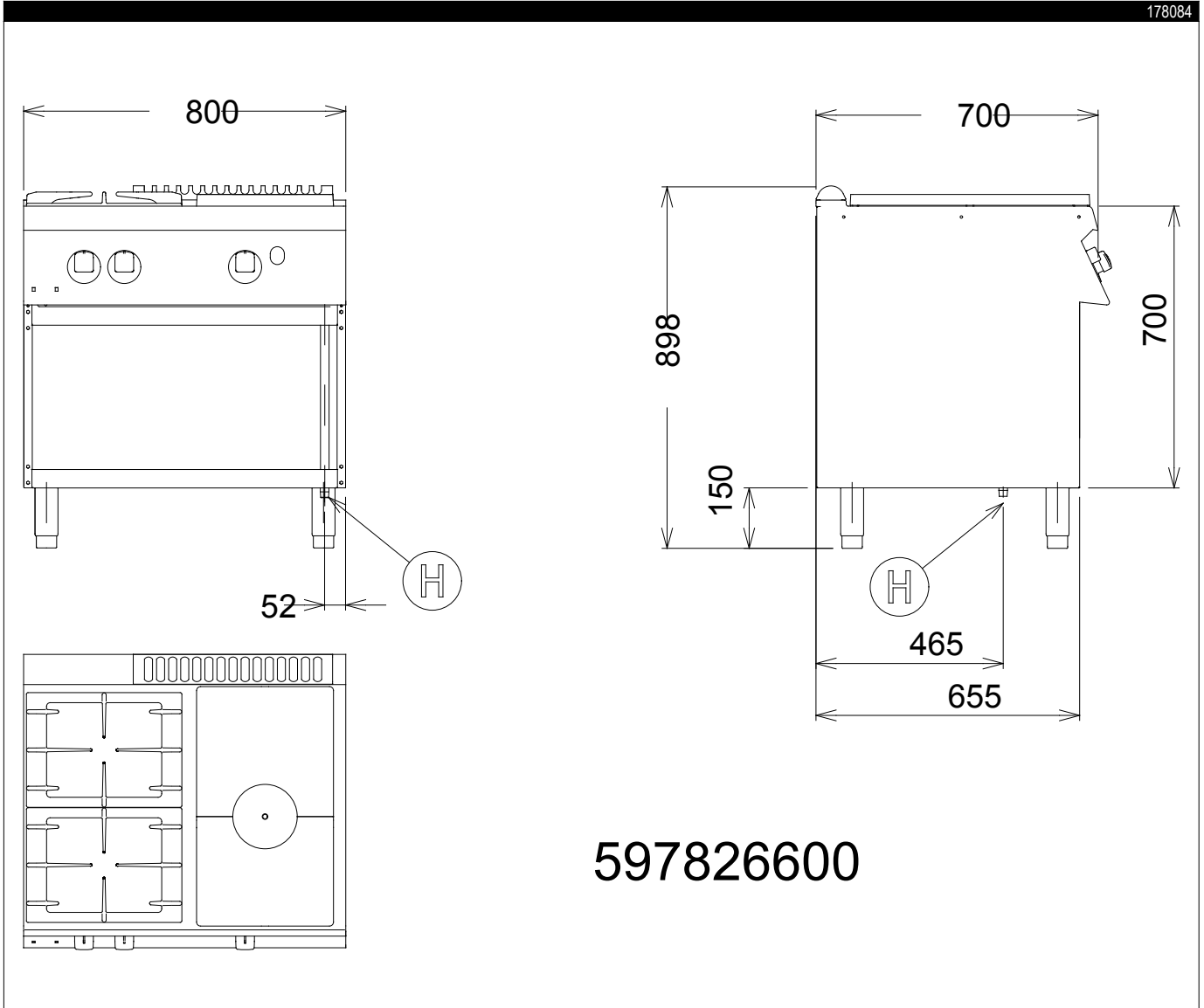
597826700

LEGEND

|                    |                     |
|--------------------|---------------------|
|                    | KTG2FG800<br>178083 |
| H - Gas connection | 1/2"                |



www.zanussiprofessional.it



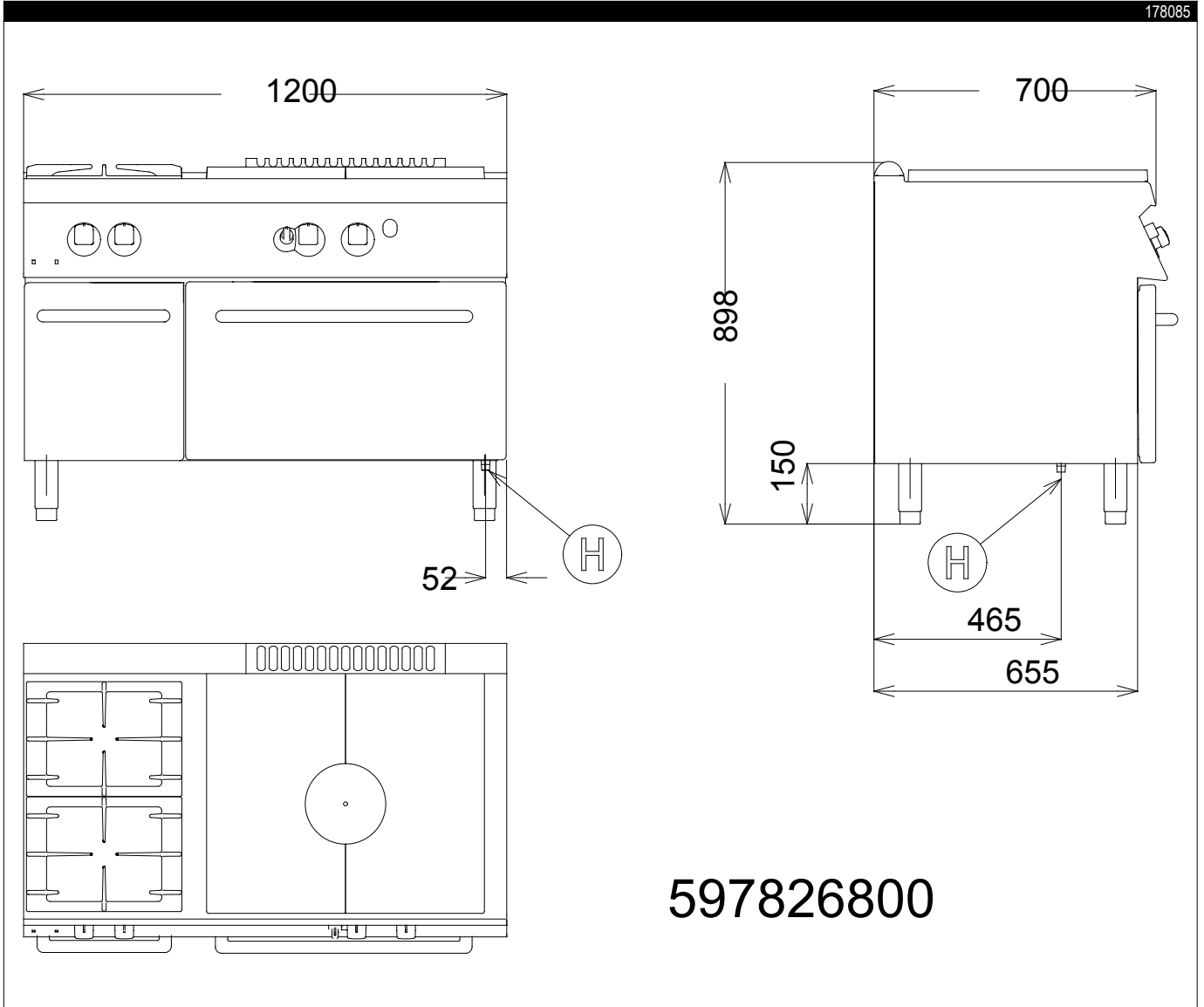
597826600

**LEGEND**

|                    |                    |
|--------------------|--------------------|
|                    | KTG2V800<br>178084 |
| H - Gas connection | 1/2"               |



www.zanussiprofessional.it



597826800

LEGEND

|                    |                      |
|--------------------|----------------------|
|                    | KTG2FG1200<br>178085 |
| H - Gas connection | 1/2"                 |



www.zanussiprofessional.it