

RANGE COMPOSITION

N 700: a range of over 100 models for the professional caterer designed to guarantee the highest level of performance, reliability, energy saving, safety standards and ergonomic operation. These concepts are reflected in the total modularity of the range that ensures numerous configurations, either free-standing or bridged. N 700 demonstrates how advanced technology can satisfy the needs of the professional caterer. The models detailed on this sheet are 2 and 4 burners gas boiling tops.



178000

N 700

2/4 BURNER GAS BOILING TOPS **ZANUSSI** PROFESSIONAL

FUNCTIONAL AND CONSTRUCTION FEATURES

- ◆ Burners:
 - Flame failure.
 - 5,5 kW with flame regulator.
 - Pilot light for each burner.
- ◆ All models have right-angled side edges to allow flush-fitting joins between units.
- ◆ Pan supports are cast iron.
- ◆ IPX4 water protection.
- ◆ Main connections can be via the rear or the base of the unit.
- ◆ All models can be easily mounted on open base cupboards or bridging supports.
- ◆ All top models provided with service duct to facilitate installation.

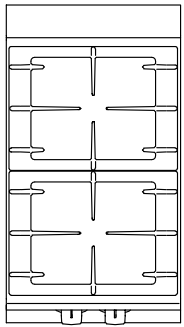
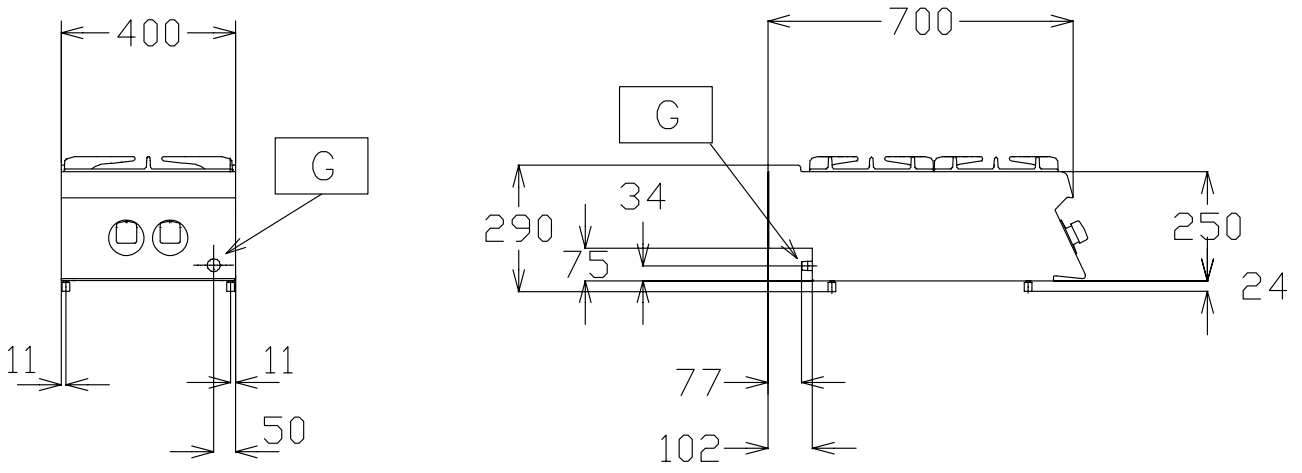
- ◆ All gas appliances are supplied for use with natural gas, LPG or town gas. Conversion jets supplied as standard.
- ◆ Worktop in 1,5mm stainless steel. Front panel in stainless steel with Scotch Brite finish.

TECHNICAL DATA		
CHARACTERISTICS	MODELS	
	KCG400 178000	KCG800 178001
Power supply	Gas	Gas
External dimensions - mm		
width	400	800
depth	700	700
height	250	250
Back burner dimensions - mm	Ø 60	Ø 60, Ø 60
Back burners power - kW	5.5	5.5, 5.5
Front burners dimension - mm	Ø 60	Ø 60, Ø 60
Front burners power - kW	5.5	5.5, 5.5
Power - kW		
gas	11	22
Net weight - kg.	20	38

OPTIONAL ACCESSORIES		
ACCESSORIES	MODELS	
	KCG400 178000	KCG800 178001
2 SIDE COVERING PANELS FOR TOP-D=700MM	206277	206277
CHIMNEY COVER 400MM CLOSED	206269	
CHIMNEY COVER 800MM OPEN-SMALL CHIMNEY		206272
CHIMNEY UPSTAND 400MM	206303	
CHIMNEY UPSTAND 800MM		206304
DOUBLE BURNER RIBBED PLATE	921685	921685
DOUBLE BURNER SMOOTH PLATE	921684	921684
DRAUGHT DIVERTER WITH 120 MM DIAMETER	206126	
DRAUGHT DIVERTER WITH 150 MM DIAMETER		206132
FLUE CONDENSER FOR 1 MODULE DIAM.150MM		206246
FLUE CONDENSER FOR 1/2 MOD. DIAM.120MM	206310	
FRONTAL HANDRAIL 1200 MM	206191	206191
FRONTAL HANDRAIL 1600 MM	206192	206192
FRONTAL HANDRAIL 400 MM	206166	206166
FRONTAL HANDRAIL 800 MM	206167	206167
LARGE HANDRAIL(PORIONING SHELF)400 MM	206185	206185
LARGE HANDRAIL(PORIONING SHELF)800 MM	206186	206186
MATCHING RING FOR FLUE CONDENSER 150DIAM		206133
MATCHING RING-FLUE CONDENSER 120-130DIAM	206127	
PRESSURE REGULATOR FOR GAS UNITS	927225	927225
RIGHT AND LEFT SIDE HANDRAILS	206240	206240
S/S GRID FOR DOUBLE BURNER-700 LINE	206297	206297
SINGLE BURNER RADIANT PLATE	206264	206264
SINGLE BURNER RIBBED PLATE	206261	206261
SINGLE BURNER SMOOTH PLATE	206260	206260
SUPPORT FOR "BRIDGE" SYSTEM 1000 MM	206138	206138
SUPPORT FOR "BRIDGE" SYSTEM 1200 MM	206139	206139
SUPPORT FOR "BRIDGE" SYSTEM 1400 MM	206140	206140
SUPPORT FOR "BRIDGE" SYSTEM 1600 MM	206141	206141
SUPPORT FOR "BRIDGE" SYSTEM 400 MM	206154	206154
SUPPORT FOR "BRIDGE" SYSTEM 800 MM	206137	206137
WATER COLUMN EXTENSION FOR 700 LINE	206291	206291
WATER COLUMN WITH SWIVEL ARM	206289	206289



www.zanussiprofessional.com

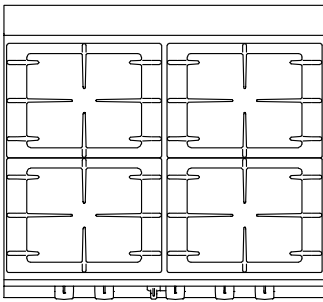
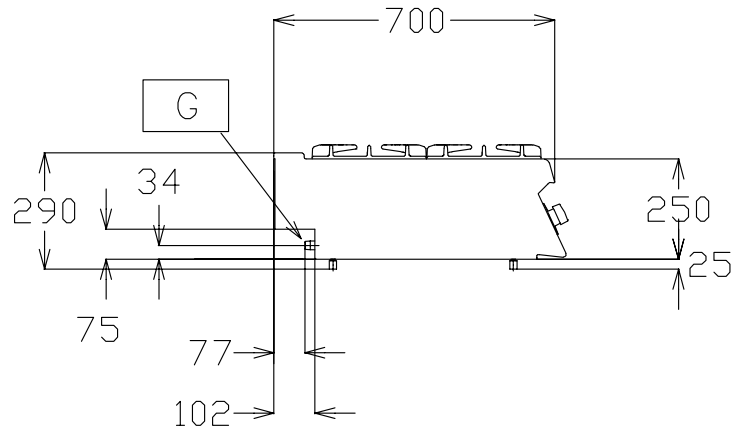
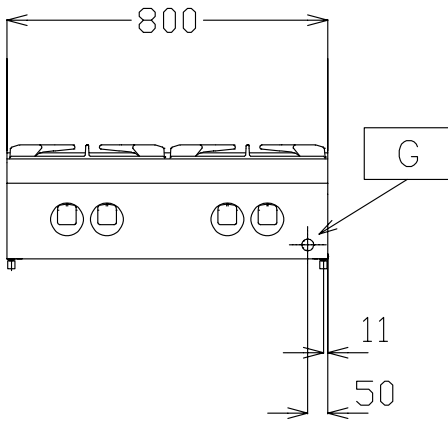


597823500

LEGEND	
G - Gas connection	KCG400 178000 1/2"



www.zanussiprofessional.com



597823600

LEGEND

	KCG800 178001
G - Gas connection	1/2"



www.zanussiprofessional.com