

RANGE COMPOSITION

N 700: a range of over 100 models for the professional caterer designed to guarantee the highest level of performance, reliability, energy saving, safety standards and ergonomic operation. These concepts are reflected in the total modularity of the range that ensures numerous configurations, either free-standing or bridged. N 700 demonstrates how advanced technology can satisfy the needs of the professional caterer.

The models detailed on this sheet are induction plate tops available in half or full module versions.



178021

N 700

INDUCTION TOPS **ZANUSSI** PROFESSIONAL

FUNCTIONAL AND CONSTRUCTION FEATURES

- ◆ Work top in 1,5 mm stainless steel. Front panel in stainless steel.
- ◆ Glass ceramic cooking surface 6 mm thick
- ◆ 2/4 independently controlled induction zones with diameter 230 mm and power 3,5 kW allowing very low cooking times and avoiding heating dispersions
- ◆ Cooking zones are activated only when in direct contact with pans that are specific for induction plates. The cooking zone not in contact with a pan is not activated and remains cold.
- ◆ Induction plates are complete with overheating safety device
- ◆ Control panel with 9 different levels of power, allowing an easy and precise cooking. Ideal for cooking delicate foods.
- ◆ IPX4 water protection.
- ◆ Main connections can be via the rear or the base of the unit.

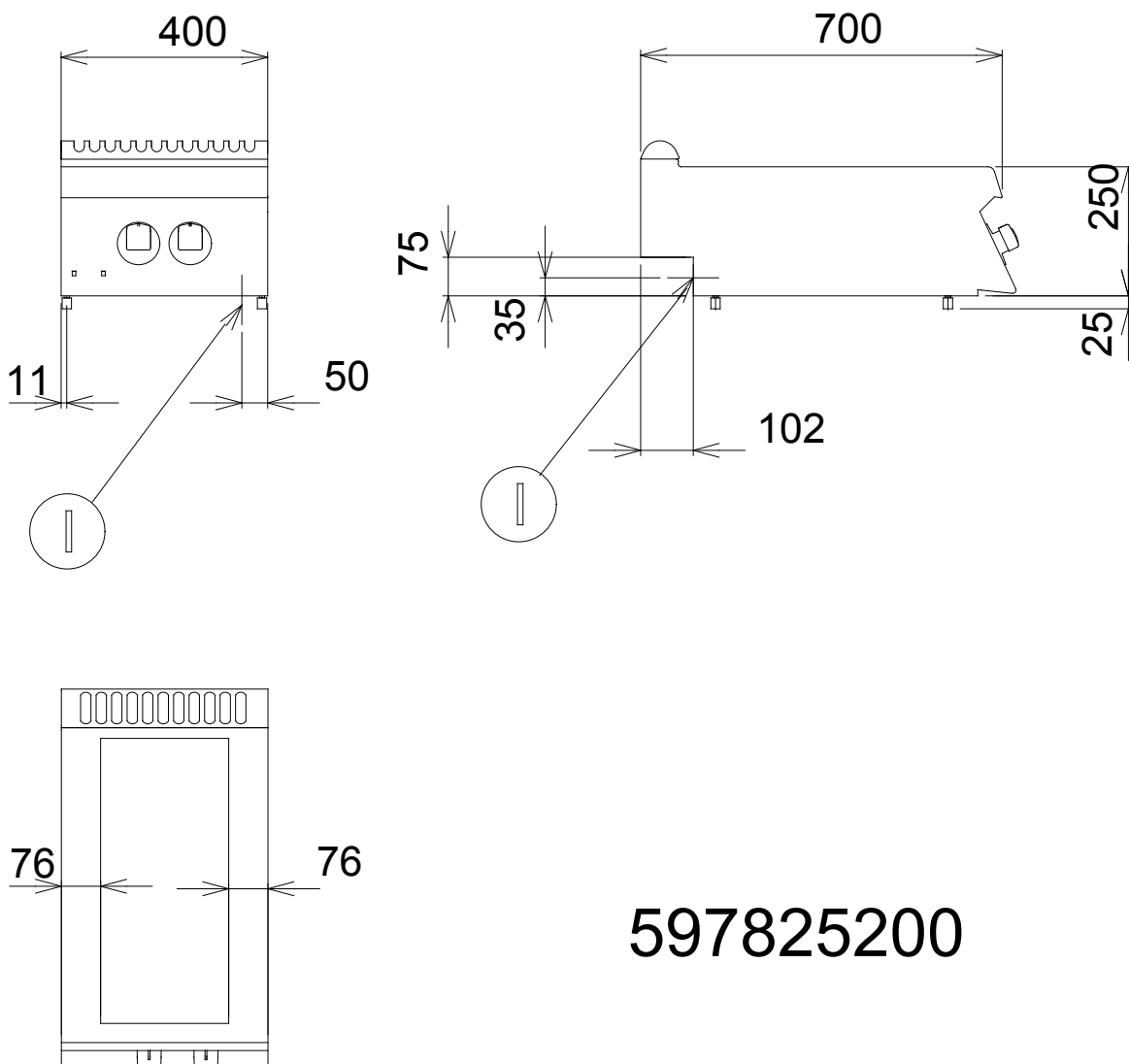
- ◆ All models can be easily mounted on open base cupboards or bridging supports.
- ◆ All top models provided with service duct to facilitate installation.

TECHNICAL DATA					
CHARACTERISTICS	MODELS				
	KIND400 178021	KIND4002 178029	KIND800 178022	KIND8002 178030	KIND800F 178041
Power supply	Electric	Electric	Electric	Electric	Electric
External dimensions - mm					
width	400	400	800	800	800
depth	700	700	700	700	700
height	250	250	250	250	250
Back plate dimensions - mm	Ø 230	Ø 230	Ø 230, Ø 230	Ø 230, Ø 230	
Back plates power - kW	3,5	3,5	3,5, 3,5	3,5, 3,5	
Front plates dimension - mm	Ø 230	Ø 230	Ø 230, Ø 230	Ø 230, Ø 230	Ø 230, Ø 230
Front plates power - kW	3,5	3,5	3,5, 3,5	3,5, 3,5	3,5, 3,5
Total Power - kW	7	7	14	14	7
Net weight - kg.	20	20	40	40	40
Supply voltage	400 V, 3N, 50/60	230 V, 3, 50/60	400 V, 3N, 50/60	230 V, 3, 50/60	400 V, 3N, 50/60
2 zones crosswise					●

OPTIONAL ACCESSORIES					
ACCESSORIES	MODELS				
	KIND400 178021	KIND4002 178029	KIND800 178022	KIND8002 178030	KIND800F 178041
2 SIDE COVERING PANELS FOR TOP-D=700MM	206277	206277	206277	206277	206277
2 SIDE KICKING STRIPS-CONCRETE INSTALL.					206265
4 FEET FOR CONCRETE INSTALLATION					206210
CHIMNEY COVER 400MM OPEN	206284	206284			
CHIMNEY COVER 800MM OPEN-LARGE CHIMNEY			206273	206273	206273
FLANGED FEET KIT					206136
FRONTAL HANDRAIL 1200 MM	206191	206191	206191	206191	
FRONTAL HANDRAIL 1600 MM	206192	206192	206192	206192	
FRONTAL HANDRAIL 400 MM	206166	206166	206166	206166	
FRONTAL HANDRAIL 800 MM	206167	206167	206167	206167	
LARGE HANDRAIL(PORTIONING SHELF)400 MM	206185	206185	206185	206185	
LARGE HANDRAIL(PORTIONING SHELF)800 MM	206186	206186	206186	206186	
RIGHT AND LEFT SIDE HANDRAILS	206240	206240	206240	206240	
SUPPORT FOR "BRIDGE" SYSTEM 1000 MM	206138	206138	206138	206138	
SUPPORT FOR "BRIDGE" SYSTEM 1200 MM	206139	206139	206139	206139	
SUPPORT FOR "BRIDGE" SYSTEM 1400 MM	206140	206140	206140	206140	
SUPPORT FOR "BRIDGE" SYSTEM 1600 MM	206141	206141	206141	206141	
SUPPORT FOR "BRIDGE" SYSTEM 400 MM	206154	206154	206154	206154	
SUPPORT FOR "BRIDGE" SYSTEM 800 MM	206137	206137	206137	206137	
WATER COLUMN EXTENSION FOR 700 LINE	206291	206291	206291	206291	206291
WATER COLUMN WITH SWIVEL ARM	206289	206289	206289	206289	206289



www.zanussiprofessional.it

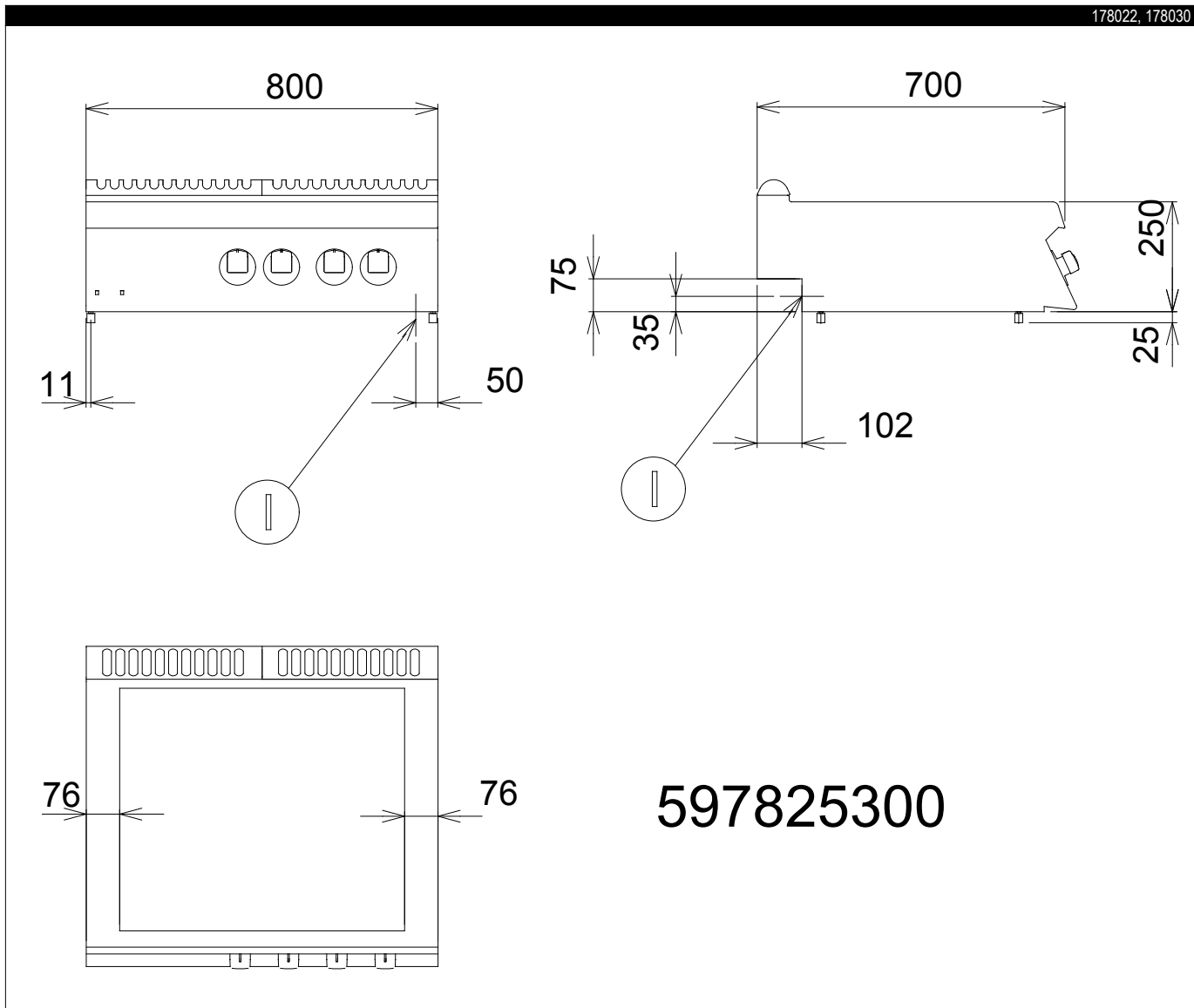


LEGEND

	KIND400 178021	KIND4002 178029
I - Electrical connection	400 V, 3N, 50/60	230 V, 3, 50/60



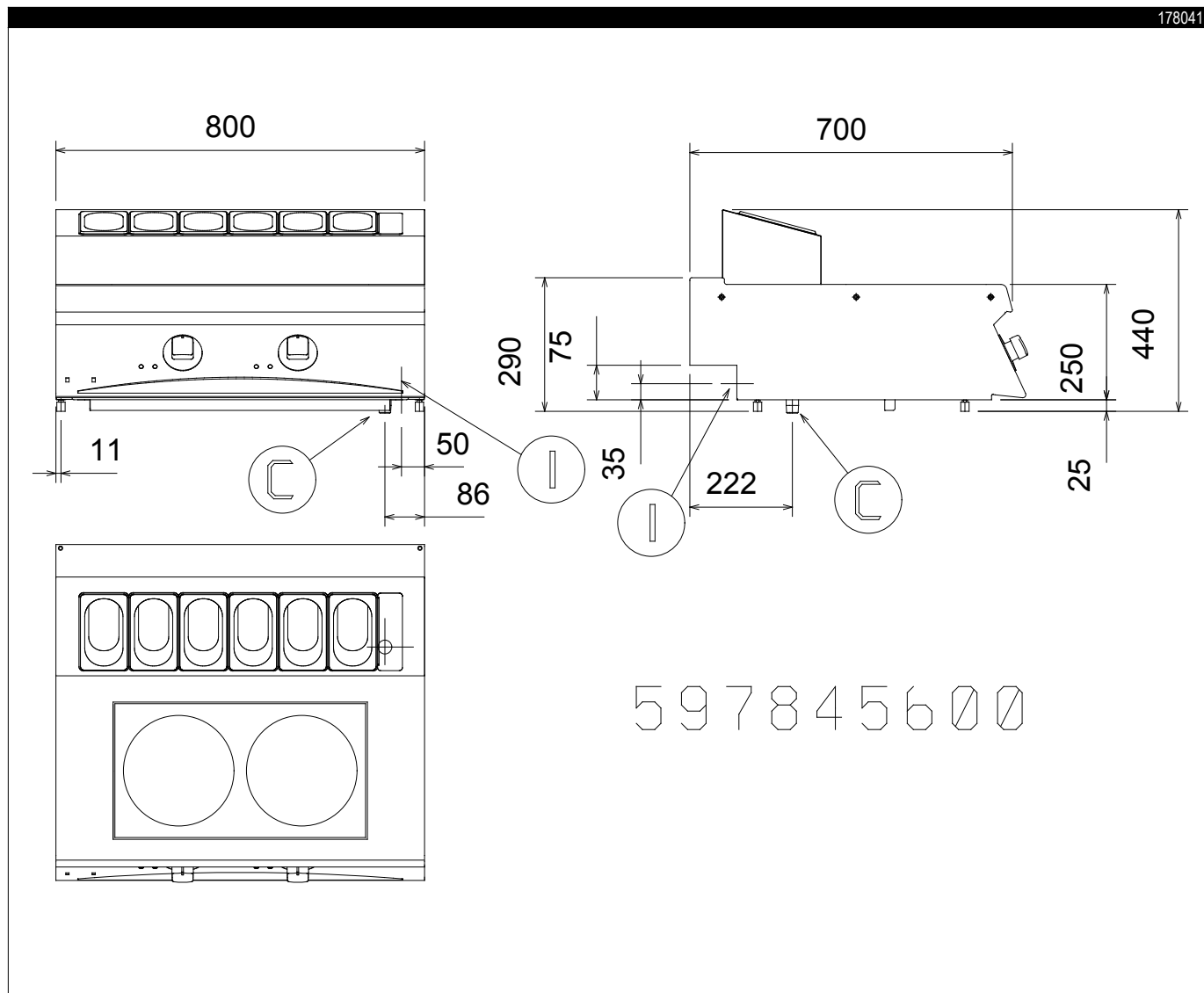
www.zanussiprofessional.it



LEGEND		
	KIND800 178022	KIND8002 178030
I - Electrical connection	400 V, 3N, 50/60	230 V, 3, 50/60



www.zanussiprofessional.it



LEGEND	
	KIND800F 178041
C - Water drain	3/4"
I - Electrical connection	400 V, 3N, 50/60



www.zanussiprofessional.it