

RANGE COMPOSITION

Ideal for smaller sized catering establishments: bars, pubs, fast food outlets, pizzerias and small hotels; the Snack 600 range of modular cooking appliances consists of a series of appliances each with a depth of 600 mm - in gas and electric - featuring high power for fast service whether in table top situations, where space is at a premium, or in a complete cooking installation, using the base units that can include doors, drawers or runners for gastronorm containers.



SGE 350

SNACK 600

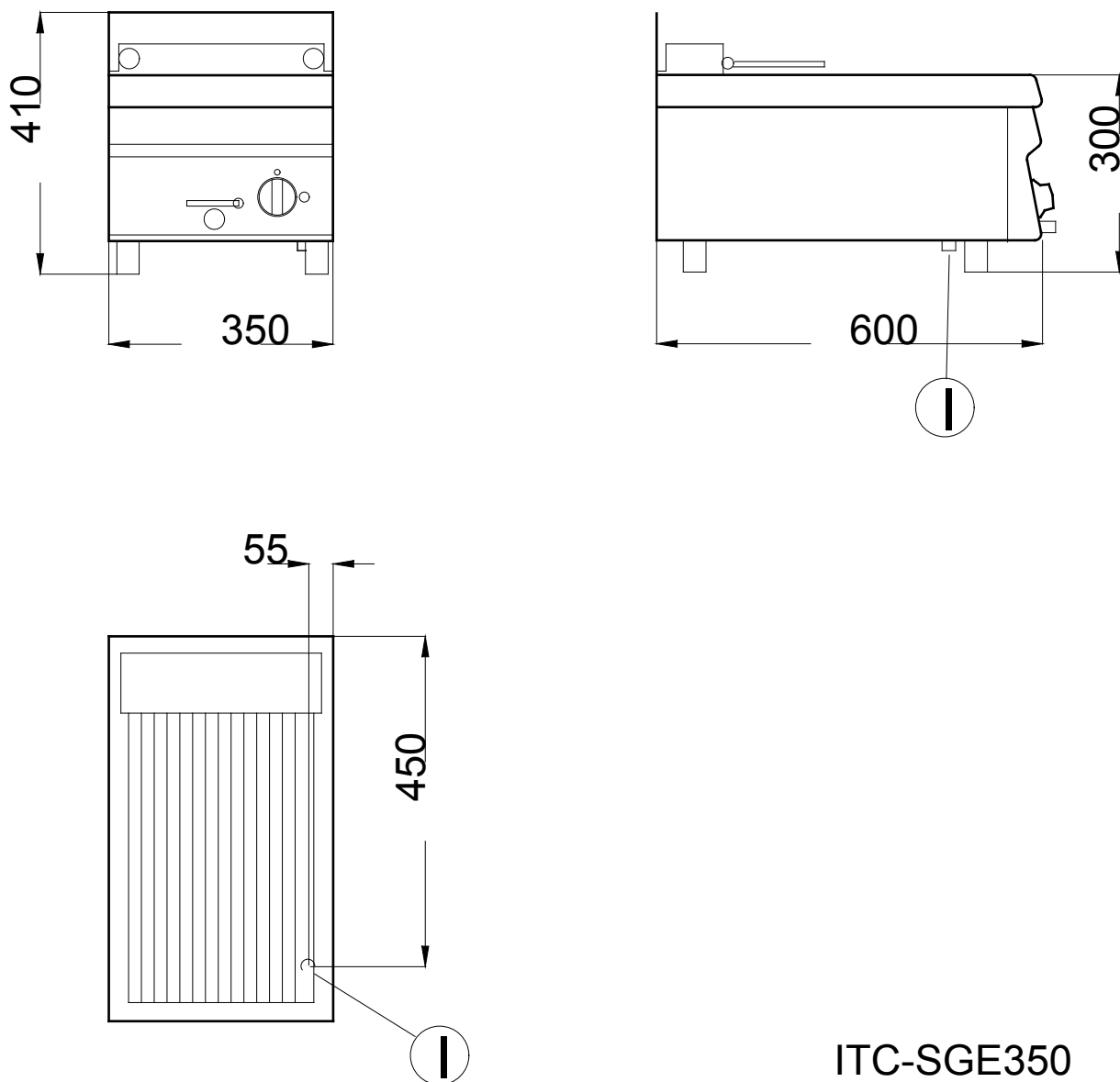
ELECTRIC CHARCOAL GRILLS **ZANUSSI** PROFESSIONAL

FUNCTIONAL AND CONSTRUCTION FEATURES

- ◆ Constructed completely in 18/10, 304 AISI stainless steel to guarantee a hard-wearing performance.
- ◆ Hygiene guaranteed by rounded edges, flush fit between units, side upstands, rear splashback and sealing joints, completely smooth and easy to clean surfaces.
- ◆ Extractable griddle.
- ◆ Tilting elements with safety stop for ease of cleaning of the well.
- ◆ Easily cleaned well with water for the collection of fats. Drainage via a tap and extendable hose positioned on the front of the unit.
- ◆ Adjustable temperature control.
- ◆ The cooking surface is a stainless steel grid heated by incoloy armoured steel elements.

- ◆ The electric charcoal grill tops can be mounted on open base cupboards with hinged doors, a chest of drawers or runners for gastronorm containers available as accessories.
- ◆ All models comply with the standards required by the main international approval bodies and are CE marked.

TECHNICAL DATA	
CHARACTERISTICS	MODELS
	SGE350 285756
Power supply	Electric
External dimensions - mm	
width	350
depth	600
height	300
Power - kW	
installed-electric	4
Grid dimensions - mm	250X400
Net weight - kg.	17
Supply voltage	400 V, 3N, 50/60



ITC-SGE350

LEGEND	
I - Electrical connection	SGE350 285756 400 V, 3N, 50/60



OPTIONAL ACCESSORIES	
ACCESSORIES	MODELS
GULLEY WITH JOINING PANEL FOR 600 LINE	SGE350 285756 285798



www.zanussiprofessional.it