

RANGE COMPOSITION

N 700: a range of over 100 models for the professional caterer designed to guarantee the highest level of performance, reliability, energy saving, safety standards and ergonomic operation. These concepts are reflected in the total modularity of the range that ensures numerous configurations, either free-standing or bridged. N 700 demonstrates how advanced technology can satisfy the needs of the professional caterer.

The models detailed on this sheet are 15 litres electric fryers with one or two wells.



178127

N 700

ELECTRIC FRYERS - 15 LT ZANUSSI PROFESSIONAL

FUNCTIONAL AND CONSTRUCTION FEATURES

- ◆ Infrared high efficiency heating elements.
- ◆ Working temperature from 105°C to 185°C.
- ◆ Additional overheat safety thermostat.
- ◆ The "V" shaped wells have the heating elements attached to the outside allowing an increased life of the oil, greater productivity and an easier cleaning.
- ◆ All models have right-angled side edges to allow flush-fitting joins between units, eliminating gaps and possible dirt traps.
- ◆ Worktop in 1,5mm stainless steel. Front panel in stainless steel with Scotch Brite finish.
- ◆ Feet in stainless steel adjustable in height 50mm.
- ◆ Door with handles in stainless steel.
- ◆ Oil drainage via a tap into a drainage container positioned under

the well thus simplifying the consumed oil management and guaranteeing the operator safety.

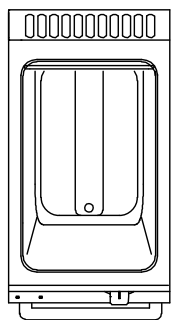
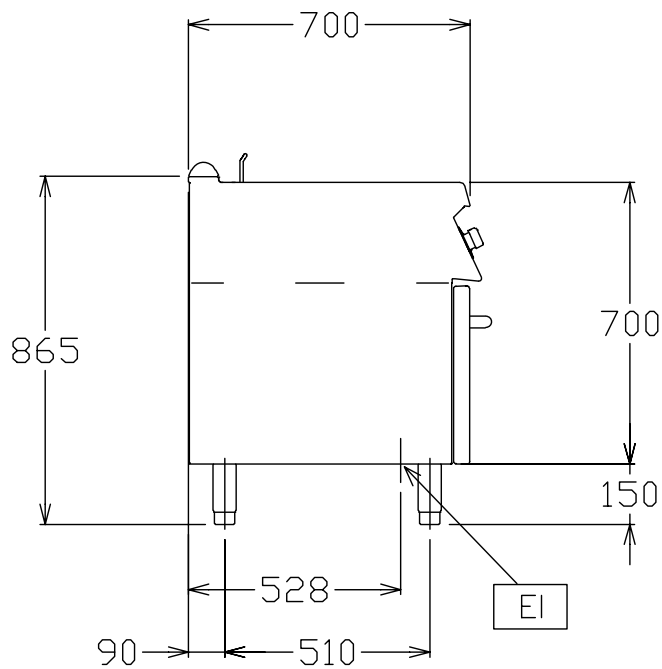
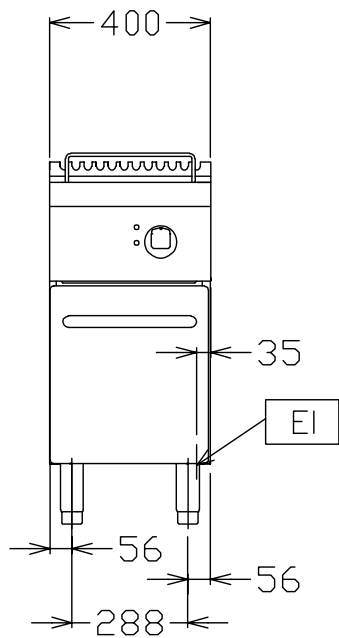
- ◆ IPX4 water protection.
- ◆ Main connections can be via the rear or the base of the unit.

TECHNICAL DATA		
CHARACTERISTICS	MODELS	
	KFRE455 178126	KFRE805 178127
Power supply	Electric	Electric
External dimensions - mm		
width	400	800
depth	700	700
height	850	850
height adjustment	50	50
N° of wells	1	2
Usable well dimensions - mm		
width	240	240
depth	380	380
height	505	505
Thermostatic	●	●
Temperature limiter	●	●
Maximum Well Capacity -lt	13, 15	13, 15
Power - kW		
installed-electric	10	20
Net weight - kg.	55	81
Supply voltage	400 V, 3N, 50/60	400 V, 3N, 50/60
INCLUDED ACCESSORIES		
BASKET FOR 14/15 LT FRYERS	1	2
LEFT SIDE DOOR FOR OPEN BASE CUPBOARD		1
RIGHT SIDE DOOR FOR OPEN BASE CUPBOARD	1	1

OPTIONAL ACCESSORIES		
ACCESSORIES	MODELS	
	KFRE455 178126	KFRE805 178127
2 1/2 BASKETS FOR 14/15 LT FRYERS	921692	921692
2 SIDE COVERING PANELS FOR TOP-D=700MM	206277	206277
2 SIDE COVERING PANELS H=700 D=700	206000	206000
2 SIDE KICKING STRIPS-CONCRETE INSTALL.	206265	206265
4 FEET FOR CONCRETE INSTALLATION	206210	206210
BASKET FOR 14/15 LT FRYERS	921691	921691
CHIMNEY COVER 400MM OPEN	206284	
CHIMNEY COVER 800MM OPEN-LARGE CHIMNEY		206273
CHIMNEY UPSTAND 400MM	206303	
CHIMNEY UPSTAND 800MM		206304
DEFLECTOR FOR FLOURED PRODUCTS-15L FRYER	921696	921696
FILTER FOR FRYER OIL COLLECTION BASIN	921693	921693
FLANGED FEET KIT	206136	206136
FRONT.KICK.STRIP F.CONCRETE INST.1000 MM	206150	206150
FRONT.KICK.STRIP F.CONCRETE INST.1200 MM	206151	206151
FRONT.KICK.STRIP F.CONCRETE INST.1600 MM	206152	206152
FRONT.KICK.STRIP F.CONCRETE INST.200 MM	206146	206146
FRONT.KICK.STRIP F.CONCRETE INST.400 MM	206147	206147
FRONT.KICK.STRIP F.CONCRETE INST.800 MM	206148	206148
FRONTAL HANDRAIL 1200 MM	206191	206191
FRONTAL HANDRAIL 1600 MM	206192	206192
FRONTAL HANDRAIL 400 MM	206166	206166
FRONTAL HANDRAIL 800 MM	206167	206167
FRONTAL KICKING STRIP 1000 MM	206177	206177
FRONTAL KICKING STRIP 1200 MM	206178	206178
FRONTAL KICKING STRIP 1600 MM	206179	206179
FRONTAL KICKING STRIP 200 MM	206174	206174
FRONTAL KICKING STRIP 400 MM	206175	206175
FRONTAL KICKING STRIP 800 MM	206176	206176
LARGE HANDRAIL(PORTIONING SHELF)400 MM	206185	206185
LARGE HANDRAIL(PORTIONING SHELF)800 MM	206186	206186
LEFT SIDE DOOR FOR OPEN BASE CUPBOARD	206195	
PAIR OF SIDE KICKING STRIPS	206249	206249
RIGHT AND LEFT SIDE HANDRAILS	206240	206240
SEDIMENT TRAY FOR 15L FRYER	206235	206235
UNCLOGGING ROD F.15LT FRYER DRAIN.PIPE	921695	921695



www.zanussiprofessional.com



597829600

LEGEND

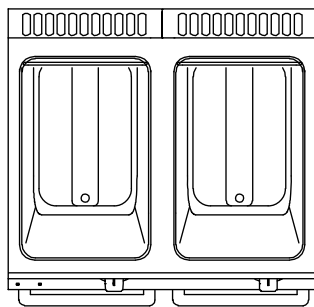
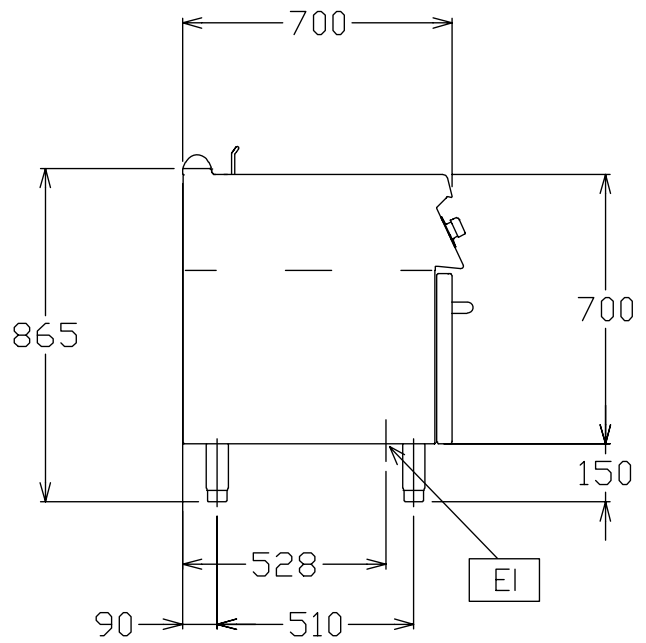
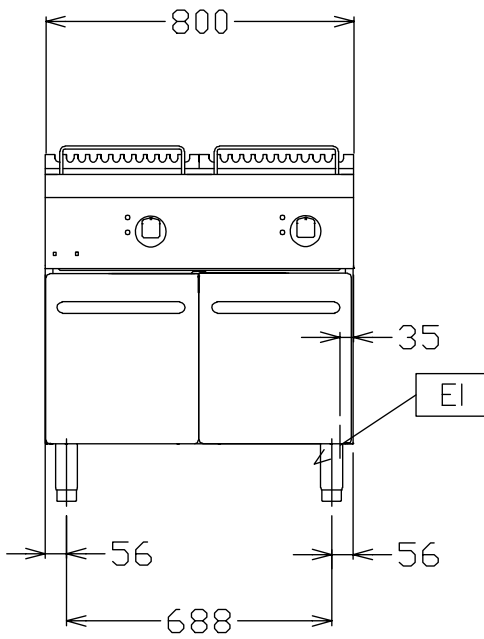
EI - Electrical connection

KFRE455
178126

400 V, 3N, 50/60



www.zanussiprofessional.com



597829700

LEGEND

EI - Electrical connection

KFRE805
178127

400 V, 3N, 50/60



www.zanussiprofessional.com