

RANGE COMPOSITION

N 700: a range of over 100 models for the professional caterer designed to guarantee the highest level of performance, reliability, energy saving, safety standards and ergonomic operation. These concepts are reflected in the total modularity of the range that ensures numerous configurations, either free-standing or bridged. N 700 demonstrates how advanced technology can satisfy the needs of the professional caterer. The models detailed on this sheet are electric ranges with 4/6 hot plates on base or on electric oven.



178017

N 700

ELECTRIC RANGES ZANUSSI PROFESSIONAL

FUNCTIONAL AND CONSTRUCTION FEATURES

- ◆ Cast-iron hot plates hermetically sealed to the one-piece top, with safety thermostat.
- ◆ Hot plates with a power of 2,6 kW.
- ◆ Electric oven with separate thermostats for top and bottom elements and butterfly valve. Oven thermostat with temperature markings in °C adjustable from 140° to 300°C and power of 6 KW.
- ◆ Worktop in 1,5mm stainless steel. Front panel in stainless steel with Scotch Brite finish.
- ◆ All models have right-angled side edges to allow flush-fitting joins between units, eliminating gaps and possible dirt traps.
- ◆ Stainless steel oven chamber with 3 levels of runners to accommodate 2/1GN shelves.
- ◆ Inside door panel in stainless steel.
- ◆ Feet in stainless steel adjustable

in height 50mm.

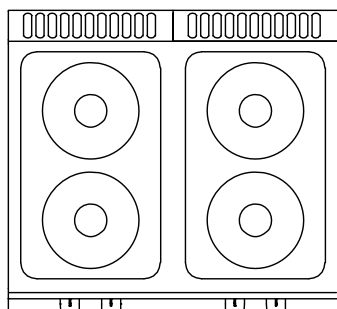
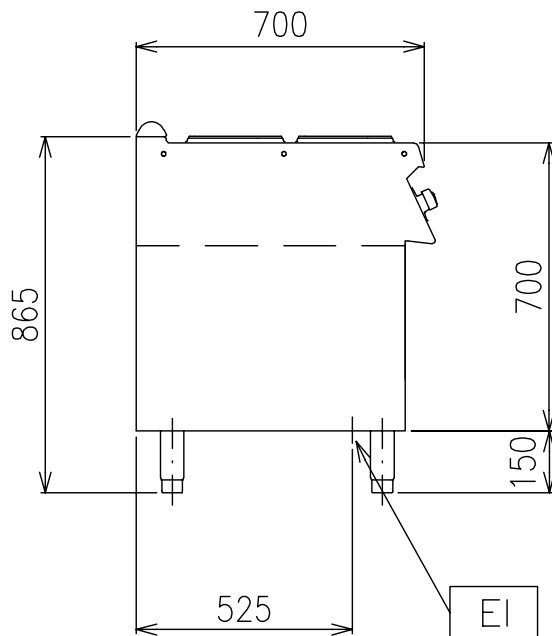
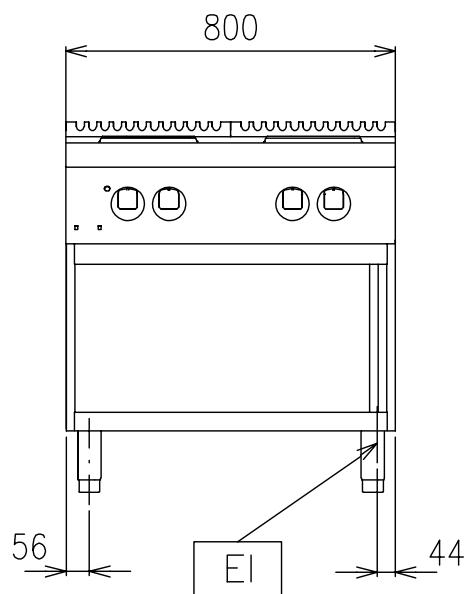
TECHNICAL DATA							
CHARACTERISTICS	MODELS						
	KCEV800 178015	KCEFE800 178017	KCEFE8002 178037	KCEQV800 178020	KCEQFE800 178019	KCEQFE8002 178028	KCEV1200 178016
Power supply	Electric	Electric	Electric	Electric	Electric	Electric	Electric
External dimensions - mm							
width	800	800	800	800	800	800	1200
depth	700	700	700	700	700	700	700
height	850	850	850	850	850	850	850
Oven cavity - mm							
width		540	540		540	540	
depth		650	650		650	650	
height		300	300		300	300	
Storage cupboard - mm							
width	680			680			1030
depth	640			640			640
height	420			420			420
Oven							
heat input - kW		6	6		6	6	
temperature min-max - °C		140, 300	140, 300		140, 300	140, 300	
Back plate dimensions - mm	Ø 230, Ø 230	Ø 230, Ø 230	Ø 230, Ø 230	Ø 230, Ø 230	Ø 230, Ø 230	Ø 230, Ø 230	Ø 230, Ø 230, Ø 230
Back plates power - kW	2,6, 2,6	2,6, 2,6	2,6, 2,6	2,6, 2,6	2,6, 2,6	2,6, 2,6	2,6, 2,6, 2,6
Front plates dimension - mm	Ø 230, Ø 230	Ø 230, Ø 230	Ø 230, Ø 230	Ø 230, Ø 230	Ø 230, Ø 230	Ø 230, Ø 230	Ø 230, Ø 230
Front plates power - kW	2,6, 2,6	2,6, 2,6	2,6, 2,6	2,6, 2,6	2,6, 2,6	2,6, 2,6	2,6, 2,6, 2,6
Total Power - kW	10,4	16,4	16,4	10,4	16,4	16,4	15,6
Net weight - kg.	50	80	80	50	80	80	75
Supply voltage	400 V, 3N, 50/60	400 V, 3N, 50/60	230 V, 3, 50/60	400 V, 3N, 50/60	400 V, 3N, 50/60	230 V, 3, 50/60	400 V, 3N, 50/60
Square plate				●	●	●	
INCLUDED ACCESSORIES							
2/1 GN CHROME GRID		1	1		1	1	

- ◆ Handles on the oven in stainless steel.
- ◆ IPX4 water protection.
- ◆ Main connections can be via the base of the unit.

OPTIONAL ACCESSORIES							
ACCESSORIES	MODELS						
	KCEV800 178015	KCFE800 178017	KCFE8002 178037	KCEQV800 178020	KCEQFE800 178019	KCEQFE8002 178028	KCEV1200 178016
2 DRAWERS FOR OPEN BASE	206255			206255			206255
2 INTERNAL SIDE PANELS FOR HYGIENIC CUPB	206252			206252			206252
2 SIDE COVERING PANELS FOR TOP-D=700MM	206277	206277		206277	206277		206277
2 SIDE COVERING PANELS H=700 D=700	206000	206000	206000	206000	206000	206000	206000
2 SIDE KICKING STRIPS-CONCRETE INSTALL.	206265	206265	206265	206265	206265	206265	206265
2 SUPPORTS+RUNNERS FOR 4 GN 1/1&2/1 CONT	206244			206244			206244
2/1 GN CHROME GRID		164250	164250		164250	164250	
4 FEET FOR CONCRETE INSTALLATION	206210	206210	206210	206210	206210	206210	206210
4 WHEELS (2 WITH BRAKE)	206188	206188	206188	206188	206188	206188	206188
CENTRAL SUPPORT FOR 800MM/1200MM CUPB.	206245			206245			206245
CHIMNEY COVER 1200MM OPEN-SMALL CHIMNEY							206275
CHIMNEY COVER 800MM OPEN-SMALL CHIMNEY	206272	206272	206272	206272	206272	206272	
CHIMNEY UPSTAND 1200MM							206306
CHIMNEY UPSTAND 800MM	206304	206304	206304	206304	206304	206304	
ELECTRIC HEATING KIT FOR CUPBOARDS	206259			206259			206259
FLANGED FEET KIT	206136	206136	206136	206136	206136	206136	206136
FRONT.KICK.STRIP F.CONCRETE INST.1000 MM	206150	206150	206150	206150	206150	206150	206150
FRONT.KICK.STRIP F.CONCRETE INST.1200 MM	206151	206151	206151	206151	206151	206151	206151
FRONT.KICK.STRIP F.CONCRETE INST.1600 MM	206152	206152	206152	206152	206152	206152	206152
FRONT.KICK.STRIP F.CONCRETE INST.200 MM	206146	206146	206146	206146	206146	206146	206146
FRONT.KICK.STRIP F.CONCRETE INST.400 MM	206147	206147	206147	206147	206147	206147	206147
FRONT.KICK.STRIP F.CONCRETE INST.800 MM	206148	206148	206148	206148	206148	206148	206148
FRONTAL HANDRAIL 1200 MM	206191	206191	206191	206191	206191	206191	206191
FRONTAL HANDRAIL 1600 MM	206192	206192	206192	206192	206192	206192	206192
FRONTAL HANDRAIL 400 MM	206166	206166	206166	206166	206166	206166	206166
FRONTAL HANDRAIL 800 MM	206167	206167	206167	206167	206167	206167	206167
FRONTAL KICKING STRIP 1000 MM	206177	206177	206177	206177	206177	206177	206177
FRONTAL KICKING STRIP 1200 MM	206178	206178	206178	206178	206178	206178	206178
FRONTAL KICKING STRIP 1600 MM	206179	206179	206179	206179	206179	206179	206179
FRONTAL KICKING STRIP 200 MM	206174	206174	206174	206174	206174	206174	206174
FRONTAL KICKING STRIP 400 MM	206175	206175	206175	206175	206175	206175	206175
FRONTAL KICKING STRIP 800 MM	206176	206176	206176	206176	206176	206176	206176
LARGE HANDRAIL(PORTIONING SHELF)400 MM	206185	206185	206185	206185	206185	206185	206185
LARGE HANDRAIL(PORTIONING SHELF)800 MM	206186	206186	206186	206186	206186	206186	206186
LEFT SIDE DOOR FOR OPEN BASE CUPBOARD	206195			206195			206195
PAIR OF SIDE KICKING STRIPS	206249	206249	206249	206249	206249	206249	206249
RIGHT AND LEFT SIDE HANDRAILS	206240	206240	206240	206240	206240	206240	206240
RIGHT SIDE DOOR FOR OPEN BASE CUPBOARD	206194			206194			206194
WATER COLUMN EXTENSION FOR 700 LINE	206291	206291	206291	206291	206291	206291	206291
WATER COLUMN WITH SWIVEL ARM	206289	206289	206289	206289	206289	206289	206289



www.zanussiprofessional.com



597824600

LEGEND

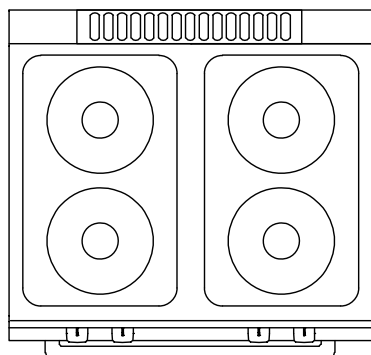
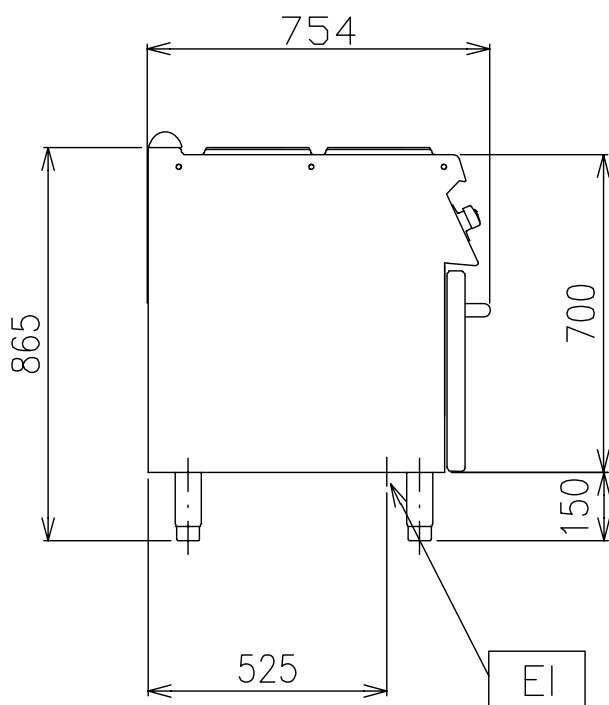
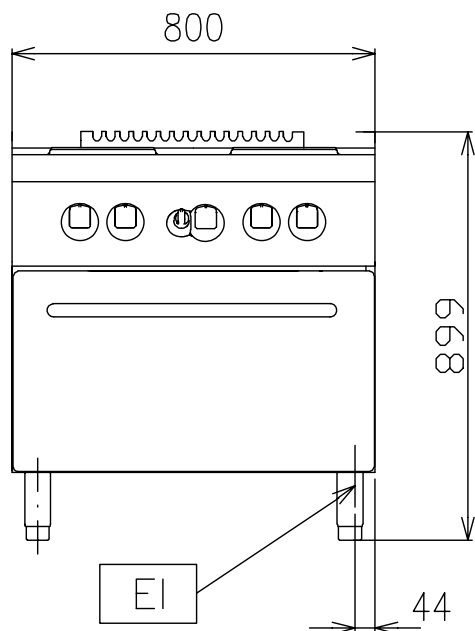
EI - Electrical connection

KCEV800
178015

400 V, 3N, 50/60



www.zanussiprofessional.com



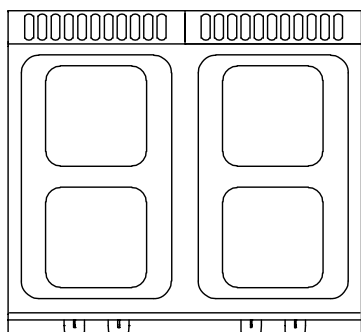
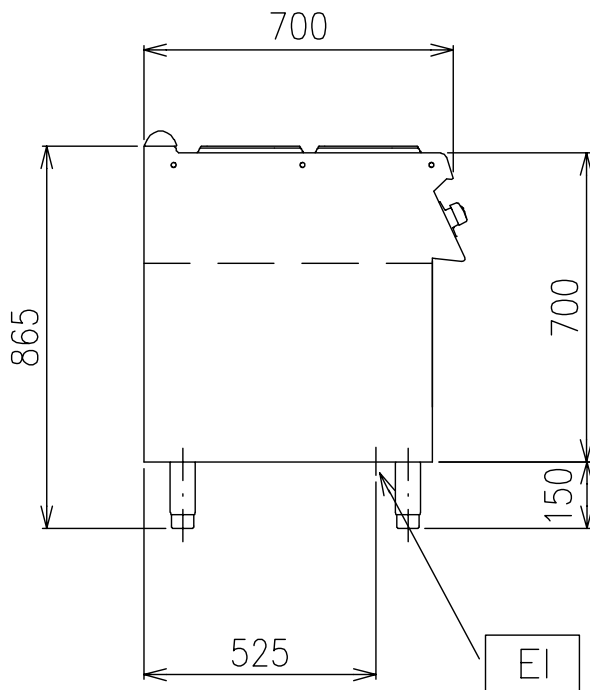
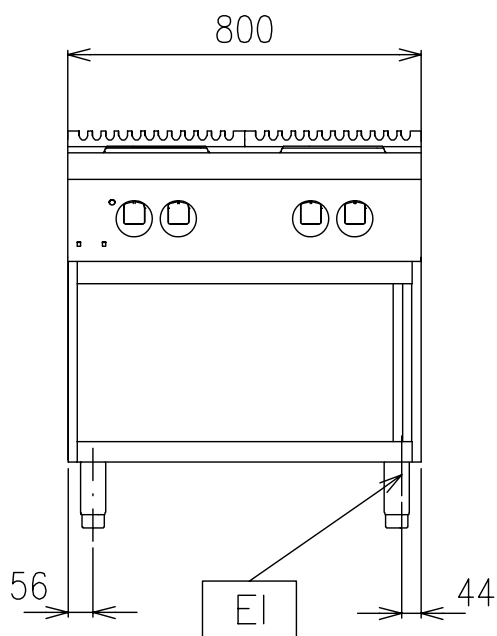
597824800

LEGEND

	KCFE800 178017	KCFE8002 178037
EI - Electrical connection	400 V, 3N, 50/60	230 V, 3, 50/60



www.zanussiprofessional.com



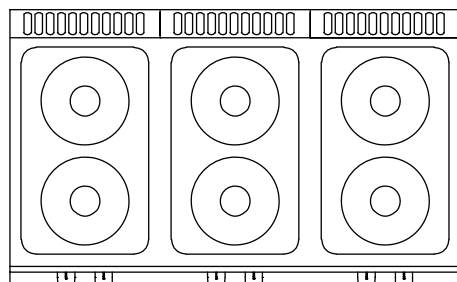
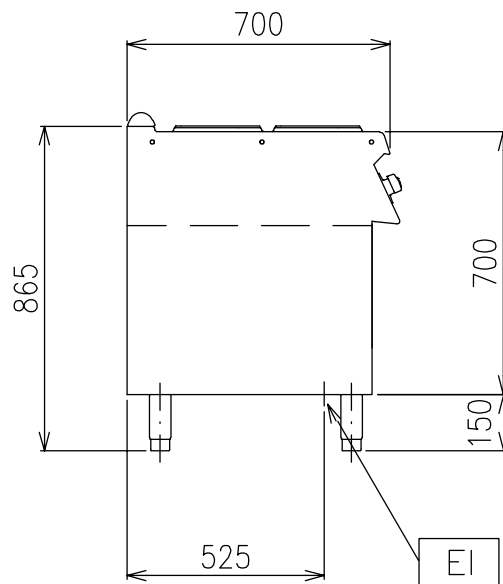
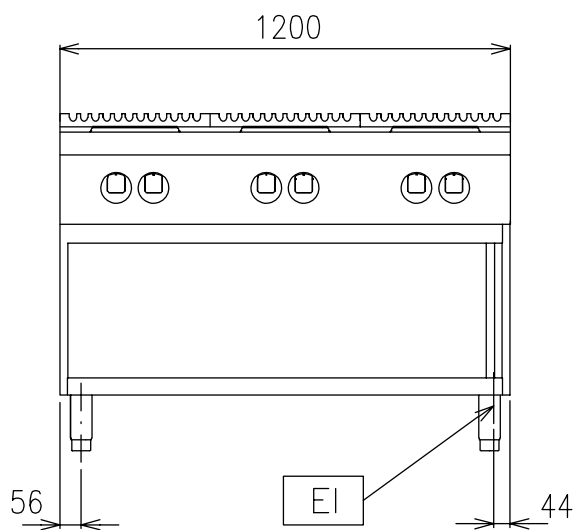
597825000

LEGEND

	KCEQV800 178020	KCEQFE800 178019	KCEQFE8002 178028
EI - Electrical connection	400 V, 3N, 50/60	400 V, 3N, 50/60	230 V, 3, 50/60



www.zanussiprofessional.com



597824700

LEGEND

EI - Electrical connection

KCEV1200
178016

400 V, 3N, 50/60



www.zanussiprofessional.com