

# Planetary mixers

## XBE20 Floor Model

The XBE20 is an essential item in all kitchens where recipes are prepared using fresh ingredients: preparation of pastry bases, creams, mousses, various sauces or mixtures.



601859

### FEATURES

- This planetary mixer can knead all types of doughs and pastries, mix semi-liquids, emulsions and various sauces.
- Stainless steel safety guard.
- Electronic speed variation provides flexibility in the regulations and very precise settings of the

parameter.

- Control panel equipped with 0-59 minute timer.
- Choice of speeds.
- A kit of wheels is available as optional accessory for easier movement.
- Touch button control panel improves the ergonomics and the reliability against the humidity or water jets.
- A safety device

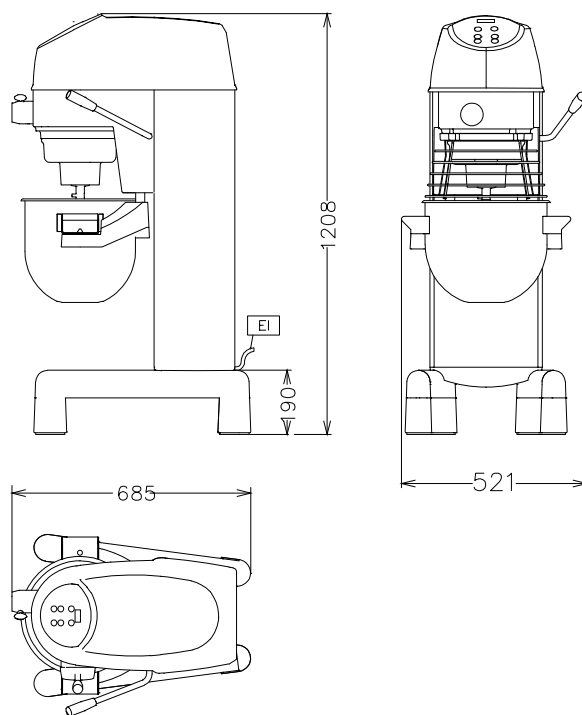
automatically stops the machine when the bowl is lowered.

- Splash proof planetary system to avoid water from entering the mechanism.
- Removable safety guard for easy cleaning.
- Height adjustable feet.
- Start/Stop push button.
- Motor stops when bowl is raised.



**Electrolux**

601859, 601726, 601727, 601864



	XBEF20S 601859	XBEF20AS 601864	XBEF20SX 601727	XBEF20ASX 601726
<b>PAIGALDUSJONIS</b>				
EI - Elektriühendus	200...240 V, 1N, 50/60	220...240 V, 1N, 50/60	200...240 V, 1N, 50/60	200...240 V, 1N, 50/60
<b>TEHNILISED ANDMED</b>				
Anuma mahutavus l	20	20	20	20
Välismõõtmed -mm/laius	532	532	532	532
Välismõõtmed -mm/sügavus	685	685	685	685
Välismõõtmed -mm/kõrgus	1208	1208	1208	1208
Taigen-kg jahu	3	3	3	3
Muretaigen-kg jahu	5	5	5	5
Taigen-kg jahu	6	6	6	6
Magus taigen- kg jahu	4	4	4	4
Croissant-kg jahu	5	5	5	5
Brioche-kg jahu	5	5	5	5
Liha kg	10	10	10	10
Püree - kg kartuleid	10	10	10	10
Võimsus - kW				
paigaldatuna-elekter	0,9	0,9	0,9	0,9
Netokaal - kg	95	95	95	95
Pinge	200...240 V, 1N, 50/60	220...240 V, 1N, 50/60	200...240 V, 1N, 50/60	200...240 V, 1N, 50/60
<b>STANDARD LISAVARUSTUS</b>				
20L MIKSERI MÖLA	1	1	1	1
20L MIKSERI NÕU	1	1	1	1
20L MIKSERI TAIGNAKONKS	1	1	1	1
20L MIKSERI VAHUSTAJA	1	1	1	1
<b>LISAVARUSTUS</b>				
10L PLANETAARIKSERI HLIIDES		653226		653226
20/30 L PLANET.MIKSRITE NÕUKÄRU	653562	653562	653562	653562
20/30/40L PLAN.MIKSERI KOMPL.	653552	653552	653552	653552
20/30L PÕR.PLAN.MIKSRI EL.KUUMUTI	654041	654041	654041	654041
20L MIKSERI 10L NÕU, KONKS, MÖLA, VISPEL	653064	653064	653064	653064
20L MIKSERI MÖLA	653116	653116	653116	653116
20L MIKSERI NÕU	653426	653426	653426	653426
20L MIKSERI TAIGNAKONKS	653114	653114	653114	653114
20L MIKSERI TUGEVDATUD VISPEL	653254	653254	653254	653254
20L MIKSERI VAHUSTAJA	653109	653109	653109	653109
H HUB KETTA TERITUSKIVI		653062		653062
JUURVILJA KUTTERI H LIIDES+HEITESEADE		653225		653225
JUURVILJALÕIKUR-LIIDES KOOS HEITJAGA		653015		653015
LJHAMASIN 70MM-HLIIDES+KUTTER+3KETAST		653016		653016
PLASTIKUST EKRAAN-XB PLAN.MIKS. 20/30L	653622	653622	653622	653622
PÜREESTAJA H LIIDESELE 3 VÕRGUGA		653187		653187
RVT NÕUDERIIVUL 20L/30L PLANETMIKSERILE	653435	653435	653435	653435

Planetary mixers

XBE20 Floor Model

BDBE020

2010-05-06

Võib muuta ilma etteatamata