

# Washer extractors

## W465H, W475H, W4105H

### Features and benefits

- High extraction force for efficient dewatering
- Available with two types of program controls:
  - Compass Control® with:**
    - Large display and one dial for easy program selection
    - Language selection
    - Two Quick Start buttons for frequently used wash programs
    - Wash program packages optimized on *Economy, Performance and Time*
  - Clarus Control® with:**
    - Fully programmable microprocessor
    - All relevant wash parameters can be programmed
    - Programming from key pad or downloading via memory card
- AWS – Automatic Weighing System with Compass Control – determine the wash load and adopt the water intake accordingly. Savings on water and energy if machine is not fully loaded
- Extremely low water and energy consumption – see table below
- Four compartment soap box for manual dosing of powder or liquid detergent
- Large door opening for easy loading/unloading
- Low noise level for pleasant working environment
- Stainless and galvanized steel in all vital parts for high degree of rust protection
- SuperBalance™ guarantees the correct extraction force



Compass Control

*Images shown are a representation of the product only and variations may occur.*

### Main options

- Automatic liquid detergent supply (optional I/O board for Compass Control)
- Stainless steel front panel
- Stainless steel side panel (Clarus Control only)
- Connection to payment system or coin meter (Compass Control only)
- Drain pump



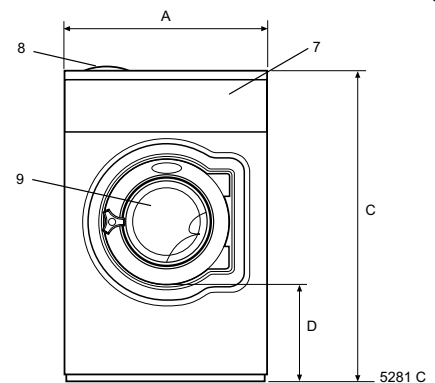
Clarus Control

Main specifications			W465H		W475H		W4105H	
Max. capacity	kg/lb		7/15		8/18		11/25	
Drum, volume	litre		65		75		105	
diameter	ø mm		520		520		595	
Extraction	rpm		1100		1100		1025	
G-factor			350		350		350	
Heating alternatives, 230/400V	electricity	kW	2 / 3 / 5.4 / 7.4 / 5.2		2 / 3 / 5.4 / 7.4 / 5.2		7.4 / 9.7 / 5.2	
	steam		x		x		x	
	non-heated		x		x		x	
<b>Consumption data "Normal 60°C" * (3G01)</b>			El	Steam	El	Steam	El	Steam
Total time	min		45	**	45	**	46	**
Water consumption (cold+hot)	litre		43+11	43+11	49+13	49+13	68+18	68+18
Energy consumption (motor/heating)	kWh		0.15/0.3	0.15	0.2/0.3	0.2	0.25/0.45	0.25
Steam consumption	kg		-	0.5	-	0.45	-	0.7

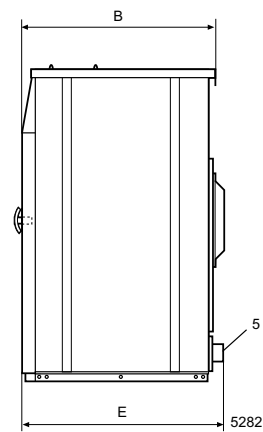
\* Water temperature 15°C cold water and 65°C hot water

\*\* Depending on steam pressure

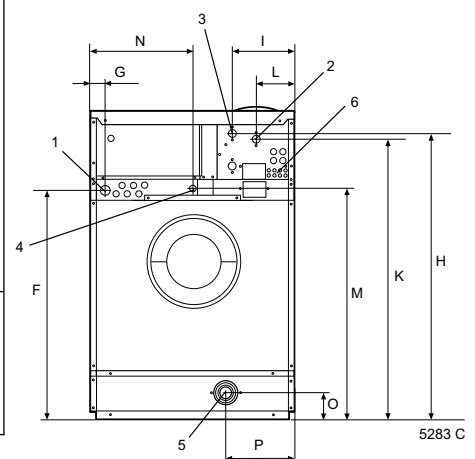
Electrical connections*		W465H	W475H	W4105H
Heating	Voltage			
El.	230V 1AC 50 Hz	kW(A) 7.3 (35)	7.4 (35)	9.7 (50)
	230V 3AC 50 Hz	kW(A) 7.3 (20)	7.4 (25)	9.7 (35)
	240V 3AC 60 Hz	kW(A) 7.3 (20)	7.4 (25)	9.7 (35)
	240V 1AC 60 Hz	kW(A) 5.6 (25)	5.6 (25)	5.6 (25)
	400V 3N AC 50 Hz	kW(A) 7.4 (16)	7.4 (16)	9.7 (16)
Steam or non-heated	230V 1AC 60 Hz	kW(A) 1.0 (10)	1.1 (10)	1.3 (10)
	240V 1AC 60 Hz	kW(A) 1.0 (10)	1.1 (10)	1.3 (10)
	230V 1AC 50 Hz	kW(A) 1.0 (10)	1.1 (10)	1.3 (10)
<b>Water and steam connection</b>				
Water valves	DN	20	20	20
Water pressure	kPa	200-600	200-600	200-600
Capacity at 300 kPa	l/min	20	20	20
Drain valve	ømm	50/75	50/75	50/75
Draining capacity	l/min	170	170	170
Steam valve	DN	15	15	15
Steam pressure	kPa	300-600	300-600	300-600
Liquid detergent supplies		5	5	5
<b>Floor requirements</b>				
Frequency of the dynamic force	Hz	18.3	18.3	17.1
Max floor load at extraction	kN	1.8 ± 0.5	1.9 ± 0.5	2.5 ± 0.5
<b>Sound levels</b>				
Sound pressure level**	dB(A)	64	65	69
Sound power level (IEC 60704-2-4)	dB(A)	73	72	77
<b>Heat emission</b>				
% of installed power, max		5	5	5
<b>Shipping data</b>				
Weight	net, kg	154	159	201
	crated, kg	167	179	225
Shipping volume	m <sup>3</sup>	0.75	0.75	0.99
<b>Accessories</b>				
Steel base		x	x	x
Hose kits for water or steam		x	x	x
Fluff collector		x	x	x
<b>Dimensions in mm</b>				
<b>A</b> Width		720	720	830
<b>B</b> Depth		690	690	705
<b>C</b> Height		1115	1115	1200
<b>D</b>		355	355	365
<b>E</b>		720	720	740
<b>F</b>		825	825	910
<b>G</b>		45	45	45
<b>H</b>		1030	1030	1115
<b>I</b>		220	220	220
<b>K</b>		1010	1010	1100
<b>L</b>		135	135	135
<b>M</b>		830	830	910
<b>N</b>		360	360	415
<b>O</b>		100	100	100
<b>P</b>		240	240	295
<b>1</b> Electrical connection		<b>6</b> Liquid supply connections		
<b>2</b> Cold water		<b>7</b> Control panel		
<b>3</b> Hot water		<b>8</b> Soap box		
<b>4</b> Steam connection		<b>9</b> Door opening ø 310 mm (W465H, W475H), ø 365 mm (W4105H)		
<b>5</b> Drain				



Front



Right side



Rear side

Front and side panels in light grey with "Blue Wave" on front panel (RAL 260 70 05, 250 60 30)

\* Other voltages available, see installation manual

\*\* Approx. value at operators position in a mid-size laundry room