

Washer extractors

W4130S, W4180S, W4250S

Features and benefits

- Frequency-controlled motor with fixed wash and extraction speeds ensures smooth action in the wash and extraction sequence
- Good dewatering ability due to higher G-force compared with a traditional solid mount machine
- Solid mount construction with robust frame in galvanized steel
- Available with two types of program controls:
 - Compass Control® with:**
 - Large display and one dial for easy program selection
 - Language selection
 - Two Quick Start buttons for frequently used wash programs
 - Wash program packages optimized on *Economy, Performance and Time*
 - Clarus Control® with:**
 - Fully programmable microprocessor
 - All relevant wash parameters can be programmed
 - Programming from key pad or downloading via memory card
- AWS – Automatic Weighing System with Compass Control – determine the wash load and adopt the water intake accordingly. Savings on water and energy if machine is not fully loaded
- Extremely low water and energy consumption – see table below
- Four compartment soap box for manual dosing of powder or liquid detergent
- Large door opening for easy loading/unloading
- Stainless and galvanized steel in all vital parts for high degree of rust protection
- SuperBalance™ guarantees the correct extraction force



Compass Control

Images shown are a representation of the product only and variations may occur.

Main options

- Automatic liquid detergent supply (optional I/O board for Compass Control)
- Stainless steel front panel
- Stainless steel side panel (only with Clarus Control)
- Dual drain valves for water re-use (Clarus Control)



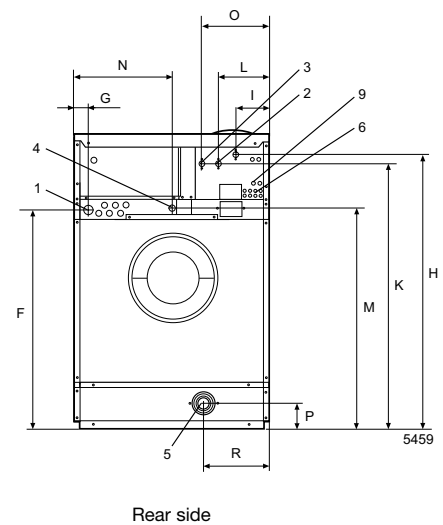
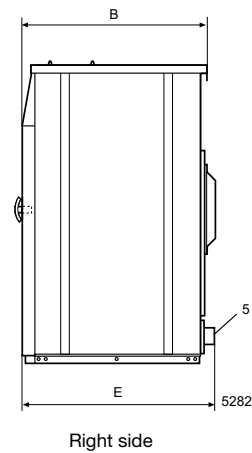
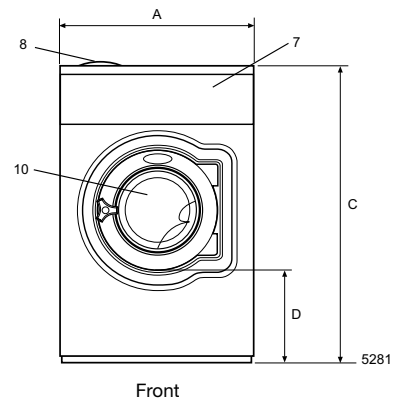
Clarus Control

Main specifications			W4130S		W4180S		W4250S	
Max. capacity	kg/lb		14/30		20/45		28/62	
Drum, volume	litre		130		180		250	
diameter	ø mm		595		650		725	
Extraction	rpm		776		742		702	
G-factor			200		200		200	
Heating alternatives, 230/400V	electricity	kW	7.5/9.7		12.7		17.6	
	steam		x		x		x	
	non-heated		x		x		x	
Consumption data "Normal 60°C" * (3G01)			El	Steam	El	Steam	El	Steam
Total time	min		49	**	50	**	48	**
Water consumption (cold+hot)	litre		93+25	93+25	134+35	134+35	183+47	183+47
Energy consumption (motor/heating)	kWh		0.2/0.6	0.2	0.25/0.9	0.25	0.35/1.2	0.35
Steam consumption	kg		-	0.9	-	1.35	-	1.8

* Water temperature 15°C cold water and 65°C hot water

** Depending on steam pressure

Electrical connections*		W4130S	W4180S	W4250S	
Heating	Voltage				
El.	230V 3AC 50 Hz	kW(A)	9.7(35)	12.7(50)	17.6(50)
	208-240V 3AC 60 Hz	kW(A)	9.3(35)	12.7(50)	17.6(50)
	400-415V 3N AC 50 Hz	kW(A)	9.7(20)	12.7(25)	17.6(35)
Steam or non-heated	230V 1AC 60 Hz	kW(A)	0.8(10)	0.9(10)	1.2(10)
	208-240V 1AC 60 Hz	kW(A)	0.8(10)	0.9(10)	1.2(10)
	230V 1AC 50 Hz	kW(A)	0.8(10)	0.9(10)	1.2(10)
Water and steam connection					
Water valves	DN	20	20	20	
Water pressure	kPa	150-400	150-400	150-400	
Capacity at 300 kPa	l/min	20	60	60	
Drain valve	ømm	75	75	75	
Draining capacity	l/min	170	170	170	
Steam valve	DN	15	15	15	
Steam pressure	kPa	300-600	300-600	300-600	
Liquid detergent supplies		5	5	5	
Floor requirements					
Frequency of the dynamic force	Hz	12.9	12.4	11.7	
Floor load at max extraction	kN	2.3 ± 3.8	3.0 ± 4.8	3.8 ± 5.9	
Sound levels					
Sound pressure level**	dB(A)	64	70	73	
Sound power level (IEC 60704-2-4)	dB(A)	71	76	79	
Heat emission					
% of installed power, max		5	5	5	
Shipping data					
Shipping volume	net, kg	175	228	287	
	crated, kg	196	240	302	
	m ³	0.91	1.18	1.51	
Accessories					
Steel base frame		x	x	-	
Water re-use tank (Clarus Control)		x	x	x	
Hose kits for water or steam		x	x	x	
Fluff collector		x	-	-	
Dimensions in mm					
A	Width	720	750	830	
B	Depth	790	880	955	
C	Height	1200	1333	1410	
D		365	435	470	
E		825	915	990	
F		910	1035	1120	
G		45	45	45	
H		1115	1245	1330	
I		120	130	160	
K		1095	1225	1290	
L		220	215	245	
M		910	1040	1125	
N		420	325	325	
O		-	295	335	
P		100	100	100	
R		235	225	265	
1	Electrical connection	6	Liquid supply connections		
2	Cold water	7	Control panel		
3	Hot water	8	Soap box		
4	Steam connection	9	Connections for water re-use		
5	Drain	10	Door opening ø395 (W4130S, W4180S), ø435 (W4250S)		



Front and side panels in light grey with "Blue Wave" on front panel (RAL 260 70 05, 250 60 30)

* Other voltages available, see installation manual

** Approx. value at operators position in a mid-size laundry room