

# Washer extractors

## W4130H, W4180H, W4240H

### Features and benefits

- High extraction force for efficient dewatering
- Available with two types of program controls:
  - Compass Control® with:**
    - Large display and one dial for easy program selection
    - Language selection
    - Two Quick Start buttons for frequently used wash programs
    - Wash program packages optimized on *Economy*, *Performance* and *Time*
  - Clarus Control® with:**
    - Fully programmable microprocessor
    - All relevant wash parameters can be programmed
    - Programming from key pad or downloading via memory card
- AWS – Automatic Weighing System with Compass Control – determine the wash load and adopt the water intake accordingly. Savings on water and energy if machine is not fully loaded
- Extremely low water and energy consumption – see table below
- Four compartment soap box for manual dosing of powder or liquid detergent
- Stainless steel front panel and grey side panels
- Large door opening for easy loading/unloading
- Low noise level, for pleasant working environment
- SuperBalance™ guarantees the correct extraction force



Clarus Control

*Images shown are a representation of the product only and variations may occur.*



Compass Control

### Main options

- Automatic liquid detergent supply (optional I/O board for Compass Control)
- IWS – Integrated Weighing System™ – actual load will be shown in the display (Clarus Control only)
- Stainless steel side panel (Clarus Control only)
- Connection to payment system or coin meter (Compass Control only)
- Dual drain valves for water re-use (Clarus Control)
- Dynamic Balancing System™ eliminates noise and vibration (not W4240H)

Main specifications				W4130H		W4180H		W4240H	
Max. capacity		kg/lb	14/30		20/45		27/60		
Drum, volume		litre	130		180		240		
	diameter	ø mm	650		725		795		
Extraction		rpm	980		930		890		
G-factor			350		350		350		
Heating alternatives, 230/400V	electricity	kW	12.5		17.5		19.4		
	steam		x		x		x		
	non-heated		x		x		x		
<b>Consumption data "Normal 60°C" * (3G01)</b>				El	Steam	El	Steam	El	Steam
Total time		min	47	**	45	**	46	**	
Water consumption (cold+hot)		litre	86+22	86+22	120+32	124+31	167+42	167+42	
Energy consumption (motor/heating)		kWh	0.3/0.55	0.3	0.5/0.8	0.5	0.55/1.05	0.6	
Steam consumption		kg	-	0.8	-	1.2	-	1.6	

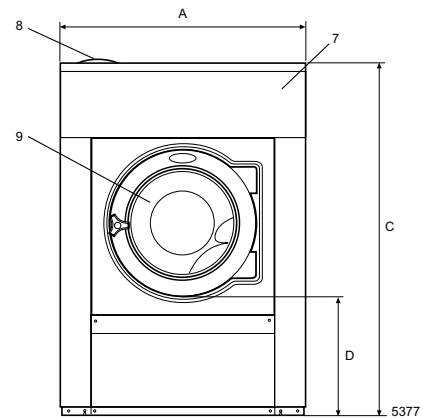
\* Water temperature 15°C cold water and 65°C hot water.

\*\* Depending on steam pressure.

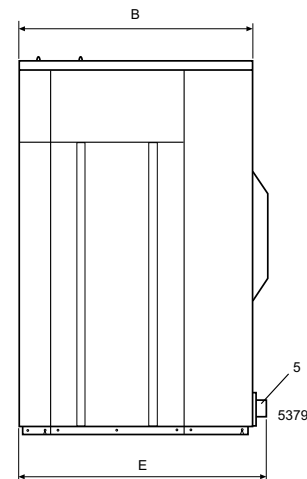
Electrical connections*			W4130H	W4180H	W4240H
Heating	Voltage				
El.	230V 3 AC 50 Hz	kW(A)	12.5(35)	17.5(50)	19.4(63)
	240V 3AC 60 Hz	kW(A)	12.5(35)	17.5(50)	20.9(63)
	400V 3N AC 50 Hz	kW(A)	12.5(20)	17.5(35)	19.4(35)
Steam or non-heated	230V 1AC 60 Hz	kW(A)	1.6(10)	2.3(16)	2.6(16)
	240V 1AC 60 Hz	kW(A)	1.6(10)	2.3(16)	2.6(16)
	230V 1AC 50 Hz	kW(A)	1.6(10)	2.3(16)	2.6(16)
Water and steam connection					
Water valves	DN		20	20	20
Water pressure	kPa		150-400	150-400	150-400
Capacity at 300 kPa	l/min		20	60	60
Drain valve	Ømm		75	75	75
Draining capacity	l/min		170	170	170
Steam valve	DN		15	15	15
Steam pressure	kPa		300-600	300-600	300-600
Liquid detergent supplies			5	5	5
Floor requirements					
Frequency of the dynamic force	Hz		16.3	15.5	14.8
Max floor load at extraction	kN		3.1 ± 0.5	4.2 ± 1.0	5.2 ± 1.0
Sound levels					
Sound pressure level**	dB(A)		70	75	78
Sound power level (IEC 60704-2-4)	dB(A)		78	83	83
Heat emission					
% of installed power, max			5	5	5
Shipping data					
Weight	net, kg		267	356	400
	crated, kg		284	376	448
Shipping volume	m <sup>3</sup>		1.27	1.64	1.79
Accessories					
Steel base frame			x	x	x
Water re-use tank (Clarus Control)			x	x	x
Hose kits for water or steam			x	x	x
Fluff collector			x	-	-
Dimensions in mm					
<b>A</b> Width			910	970	1020
<b>B</b> Depth			785	870	915
<b>C</b> Height			1325	1410	1445
<b>D</b>			435	470	500
<b>E</b>			825	945	955
<b>F</b>			1035	1120	1155
<b>G</b>			125	115	100
<b>H</b>			1245	1330	1360
<b>I</b>			215	230	215
<b>K</b>			1225	1290	1320
<b>L</b>			300	315	300
<b>M</b>			-	395	380
<b>N</b>			100	100	100
<b>O</b>			305	335	360
<b>P</b>			455	485	510
<b>1</b> Electrical connections		<b>6</b> Liquid supply connections			
<b>2</b> Cold water		<b>7</b> Control panel			
<b>3</b> Hot water		<b>8</b> Soap box			
<b>4</b> Steam connection		<b>9</b> Door opening ø395 (W4130H), ø435 (W4180H,W4240H)			
<b>5</b> Drain					

\* Other voltages available, see installation manual.

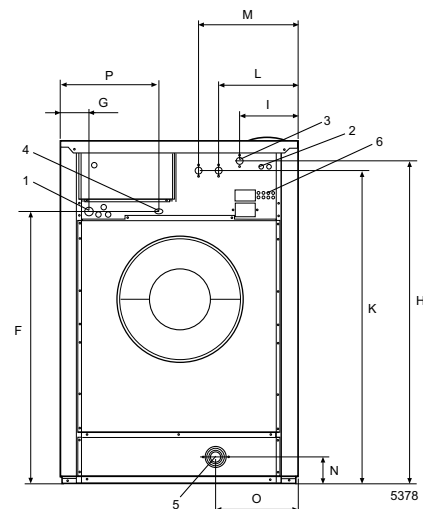
\*\* Approx. value at operators position in a mid-size laundry room.



Front



Right side



Rear side