

Washer extractor

W4300H

Features and benefits

- High extraction force for efficient dewatering
- Available with two types of program controls:
 - Compass Control® with:**
 - Large display and one dial for easy program selection
 - Language selection
 - Two Quick Start buttons for frequently used wash programs
 - Wash program packages optimized on *Economy*, *Performance* and *Time*
 - Clarus Control® with:**
 - Fully programmable microprocessor
 - All relevant wash parameters can be programmed
 - Programming from key pad or downloading via memory card
- AWS – Automatic Weighing System with Compass Control – determine the wash load and adopt the water intake accordingly. Savings on water and energy if machine is not fully loaded
- Extremely low water and energy consumption – see table below
- Four compartment soap box for manual dosing of powder or liquid detergent
- Stainless steel front panel and grey side panels
- Large door opening for easy loading/unloading
- Low noise level, for pleasant working environment
- SuperBalance™ guarantees the correct extraction force

Main options

- Automatic liquid detergent supply (optional I/O board for Compass Control)
- IWS – Integrated Weighing System™ – actual load will be shown in the display (Clarus Control only)
- Stainless steel side panel (Clarus Control only)
- Connection to payment system or coin meter (Compass Control only)
- Dual drain valves for water re-use (Clarus Control only)



Clarus Control

Images shown are a representation of the product only and variations may occur.



Compass Control

Main specifications				W4300H	
Max. capacity		kg/lb		33/75	
Drum, volume		litre		300	
	diameter	ø mm		795	
Extraction		rpm		820	
G-factor				300	
Heating alternatives, 230/400V	electricity	kW		19.4	
	steam			x	
	non-heated			x	
Consumption data "Normal 60°C" * (3G01)				El	Steam
Total time		min		47	**
Water consumption (cold/hot)		litre		219/51	202/52
Energy consumption (motor/heating)		kWh		0.55/1.25	0.55
Steam consumption		kg		-	2

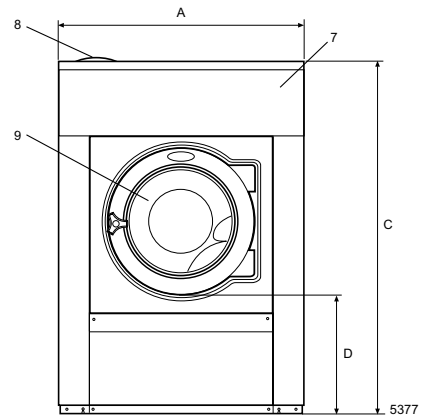
* Water temperature 15°C cold water and 65°C hot water.

** Depending on steam pressure.

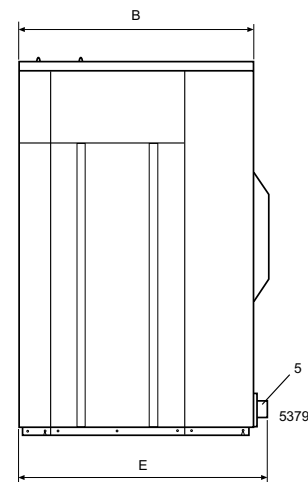
Electrical connections*		W4300H	
Heating	Voltage		
El.	230V 3 AC 50 Hz	kW(A)	19.4(63)
	208-240V 3AC 60 Hz	kW(A)	19.4(63)
	400-415V 3N AC 50 Hz	kW(A)	19.4(35)
Steam	230V 1AC 60 Hz	kW(A)	2.1(10)
	or 208-240V 1AC 60 Hz	kW(A)	2.1(10)
non-heated 230V 1AC 50 Hz		kW(A)	2.1(10)
Water and steam connection			
Water valves	DN		20
Water pressure	kPa		150-400
Capacity at 300 kPa	l/min		60
Drain valve	ø mm		75
Draining capacity	l/min		170
Steam valve	DN		15
Steam pressure	kPa		300-600
Liquid detergent supplies			5
Floor requirements			
Frequency of the dynamic force	Hz		13.7
Floor load at max extraction	kN		6.2 ± 1.3
Sound levels			
Sound pressure level**	dB(A)		76
Sound power level (IEC 60704-2-4)	dB(A)		83
Heat emission			
% of installed power, max			5
Shipping data			
Weight	net, kg		509
	crated, kg		528
Shipping volume	m ³		2.1
Accessories			
Steel base frame			x
Water re-use tank (Clarus Control)			x
Hose kits for water or steam			x
Dimensions in mm			
A	Width		1020
B	Depth		1060
C	Height		1445
D			500
E			1135
F			1155
G			100
H			1360
I			215
K			1320
L			300
M			380
N			100
O			360
P			330
1	Electrical connections	6	Liquid supply connections
2	Cold water	7	Control panel
3	Hot water	8	Soap box
4	Steam connection	9	Door opening ø435
5	Drain		

* Other voltages available, see installation manual.

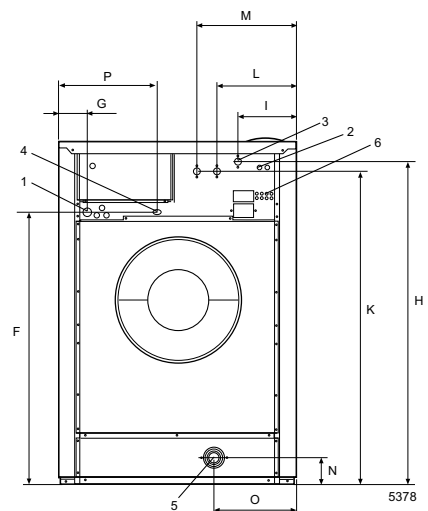
** Approx. value at operators position in a mid-size laundry room.



Front



Right side



Rear side