

Professional Washer-Dryer

WD4130, WD4240

Features and benefits

- **Flexible – triple functions**
 - Washing and drying is done in one machine, no need for re-loading
 - The WD can also be used as a regular washer or dryer
- **AWS – Automatic Weighing System**
determine the wash load and adopt the water intake accordingly
- **High capacity**
 - Washing and drying max. 8 or 15 kg
 - Washing only max. 14 or 27 kg
- **Fast laundry process (program 60°C without pre-wash)**
 - Washing and drying: approx 75 minutes
 - Wash only: approx 47 minutes
- **Space saving**
 - Only 1 or 1.4 m² floor space is occupied
 - A traditional solution will use the double space
- **Easy operation**
 - Large door opening – easy to load and unload
 - Large, clear display and informative operating panel
 - Dual lint filters – easy accessible in the front
 - Language selection
 - Washing and drying programs for different textiles
- **Reliable and well-proven design**
 - High extraction force for max. de-watering
 - Super Balance™ – correct extraction force with less vibrations
 - Soft-grip door handle with slip lock function – lasts longer
 - Spray lifters in inner drum for best wash and rinse performance



Main options

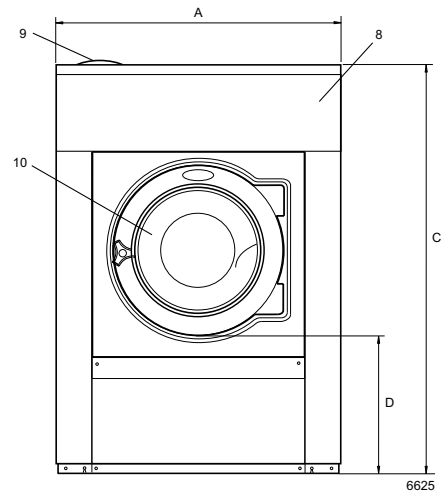
- VGS – Voice Guidance System valuable help for users (available on self-service version for laundrettes and textile care rooms)
- Base with front panel in stainless steel (988 9191-01 or 988 9192-01)
- Connection to payment system or coin meter

Main specifications			WD4130	WD4240
Recommended load,	washing/drying	kg/lb	6.5/14	12/26
Max. load	washing/drying	kg/lb	8/18	15/33
Max. load	washing only	kg/lb	14/30	27/55
Max. load	drying only	kg/lb	8/18	15/33
Drum,	volume	litre	130	240
	diameter	ø mm	650	795
Extraction		rpm	980	890
G-factor			350	350
Heating alternatives, 230/400V				
	electricity (washing/drying)	kW	12.5/8	19.4/16.5
	gas (drying)	BTU/h (kW)	34100 (10)	68400 (19)
	non-heated (washing)		x	x
Consumption data, Normal 60°C wash&dry at rec. capacity*				
Total time	non heated (heated)	min	76 (79)	75 (78)
Water consumption	cold/hot	litre	48/12	81/22
Energy consumption,				
	(wash heated) motor/heating/drying	kWh	5.0	9.3
	(wash non-heated) motor/drying	kWh	4.7	8.8
Evaporation, electric heated machine		g/min	105	207
Evaporation, gas heated machine		g/min	118	230
Energy kWh/litre evaporated		kWh/l	1.35	1.35

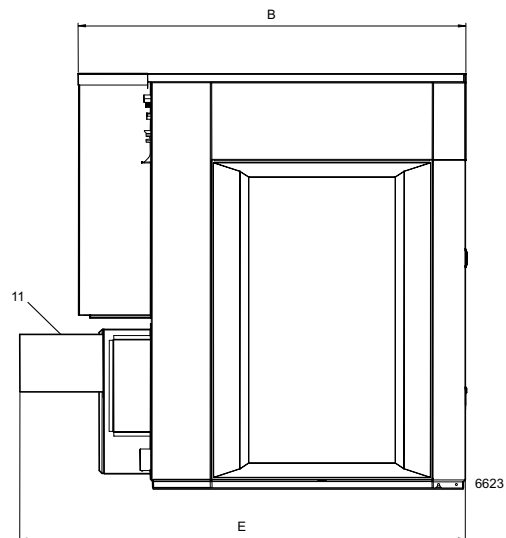
* 5G01, 1:20, water temperature 15°C cold and 65°C hot water, without pre-wash, 3 rinses. 100% cotton, 50% residual moisture dried to 0%.

Electrical connections		WD4130	WD4240
Heating	Voltage		
El.	230V 3 AC 50 Hz	kW(A) 12.5(35)	19.4(63)
	208-240V 3AC 60 Hz	kW(A) 12.5(35)	20.9(63)
	415V 3N AC 50 Hz	kW(A) 12.5(20)	20.9(35)
Gas/ non-heated	200-230V 1AC 60 Hz	kW(A) 1.6(10)	2.6(16)
	208-240V 1AC 60 Hz	kW(A) 1.6(10)	2.6(16)
	230V 1AC 50 Hz	kW(A) 1.6(10)	2.6(16)
Water and steam connection			
Water valves	DN	20	20
Water pressure	kPa	150-400	150-400
Capacity at 300 kPa	l/min	27	60
Drain valve	Ø mm	75	75
Draining capacity	l/min	150	150
Gas valve	ISO 7/1-R	1/2	1/2
Liquid detergent supplies		5	5
Air connections			
Air outlet	Ø mm	125	200
Evacuated air	m ³ /h	340	580
Pressure drop	Max. Pa	280	350
Floor requirements			
Frequency of the dynamic force	Hz	16.4	13.7
Max floor load at extraction	kN	3.0 ± 0.5	5.5 ± 1.3
Sound levels			
Sound pressure level**	dB(A)	70	78
Sound power level (IEC 60704-2-4)	dB(A)	78	83
Heat emission			
% of installed power washer, max		5	5
% of installed power dryer, max		15	15
Shipping data			
Weight	net, kg	382	555
	crated, kg	407	574
Shipping volume	m ³	1.61	2.42
Dimensions in mm			
A	Width	910	1020
B	Depth	1110	1350
C	Height	1330	1450
D		435	500
E		1195	1550
F		1055	1170
G		90	95
H		1240	1360
I		1095	1215
K		105	105
L		275	265
M		385	440
N		410	430
O		535	650
P		585	710
Q		450	535
1	Electrical connections	8	Control panel
2	Cold water	9	Soap box
3	Hot water	10	Door opening ø395 (WD4130), ø435 (WD4240)
4	Cold or hot water	11	Exhaust connection
5	Drain ø75	12	External air inlet
6	Gas connection		ø125 (WD4130), ø200 (WD4240)
7	Liquid supply connections		ø125 (WD4130), ø160 (WD4240)

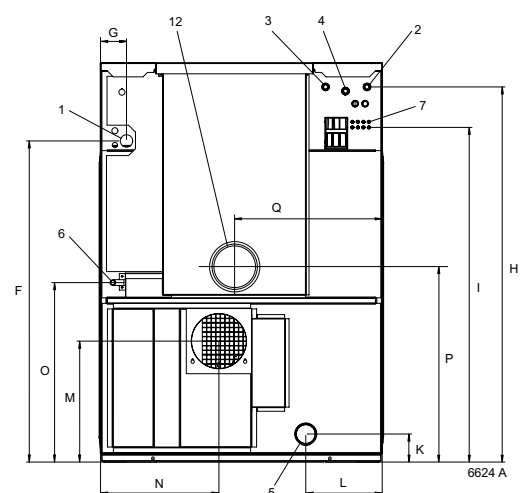
** Approx. value at operators position in a mid-size laundry room



Front



Left view



Rear side