

RANGE COMPOSITION

A range of 400 litre refrigerators designed to satisfy the food-conservation requirements of professional caterers who want the high performance and reliability of a commercial unit but who have limited space in the kitchen. The range consists of white pre-painted steel models, stainless steel models, glass door models and wine models. The models detailed in this sheet are 5 stainless steel models including 1 model for fish storage



AG I SERIES

400LT STAINLESS STEEL REFRIGERATOR\FREEZ. ZANUSSI PROFESSIONAL

FUNCTIONAL AND CONSTRUCTION FEATURES

- ◆ Internal structure in polystyrene, external structure in AISI 430 stainless steel with the top and back in galvanised steel. 150 mm high - adjustable plastic feet.
- ◆ Digital control panel allowing for an easy and precise setting and control of the internal temperature.
- ◆ Completely automatic defrosting and defrost water evaporation for the refrigerator models. Cell washing water drain available for fish model.
- ◆ All models use CFC free R134a or R404a.
- ◆ Designed to operate at ambient temperature of 43° C for refrigerator, 38 °C for freezer and fish models and 32 °C for glass model.

TECHNICAL DATA					
CHARACTERISTICS	MODELS				
	R04PVF4 730188	R04NVF4 730182	R04NVF4F 730183	R04FSF4 730189	R04PVG4 730190
Operating temperature - min/max °C	0/10	-2/8	-6/6	-24/-15	0/10
Operating mode	Ventilated	Ventilated	Ventilated	Static	Ventilated
External material					
panels	Stainless Steel	Stainless Steel	Stainless Steel	Stainless Steel	Stainless Steel
door	Stainless Steel	Stainless Steel	Stainless Steel	Stainless Steel	Glass
Internal material					
panels	Polystyrene	Polystyrene	Polystyrene	Polystyrene	Polystyrene
Gross capacity (D.I.N. 8952) - l.	400	400	400	400	400
External dimensions - mm					
width	703	703	703	703	703
depth/with open doors	620, 1310	620, 1310	620, 1310	620, 1310	620, 1310
height	1755	1755	1755	1755	1755
Internal dimensions - mm					
width	610	610	610	610	610
depth	435	435	435	435	435
height	1450	1450	1450	1450	1450
Min/Max internal humidity - %	84%	84%	85%		84%
Door hinges	Right Side	Right Side	Right Side	Right Side	Right Side
N° and type of grids (included)	4, 600x400	4, 600x400		600x400	4, 600x400
N° and type of basins			1+4, 600x300; 600x400		
Compressor power - HP	1/5	1/4	1/4	1	1/5
Defrost type	Automatic (air)	Automatic (electrical)	Automatic (electrical)	Manual	Automatic (air)
Refrigerant type	R134a	R134a	R134a	R404a	R134a
Refrigerant quantity - g.	240	200	200	240	240
Refrigeration power - W	306	339	339	881	249
Refrigerant power at evaporation temperature - °C	-12	-10	-12	-29	-12
Power - kW					
installed-electric	0.17	0.38	0.35	0.53	0.19
Internal light					●
Noise level - dBA	53.5	57	56	56	55
Net weight - kg.	75	75	77	77	85
Power supply - V, phases, Hz	230 V, 1N, 50	230 V, 1N, 50	230 V, 1N, 50	230 V, 1N, 50	230 V, 1N, 50
INCLUDED ACCESSORIES					
PAIR OF GRIDS (WHITE) FOR 400LT REFRIG.	2	2			2
PVC CONTAINER W/FALSE BOTTOM FOR 400 LT			5		

- ◆ High-density expanded polyurethane insulating foam, 45 mm in thickness, with cyclopentane injection, guarantees exceptional, long-term insulation and notable energy savings
- ◆ The rational use of the internal space of the refrigerator guarantees a large storage area suitable to contain 600 x 400 mm grids

- ◆ A reversible self-closing door equipped with a magnetic door seal to guarantee perfect closure. The recessed door handle makes opening the cabinet extremely easy. 180° maximum door opening and doors stay open at 95°. All the doors are fitted as standard with locks and keys

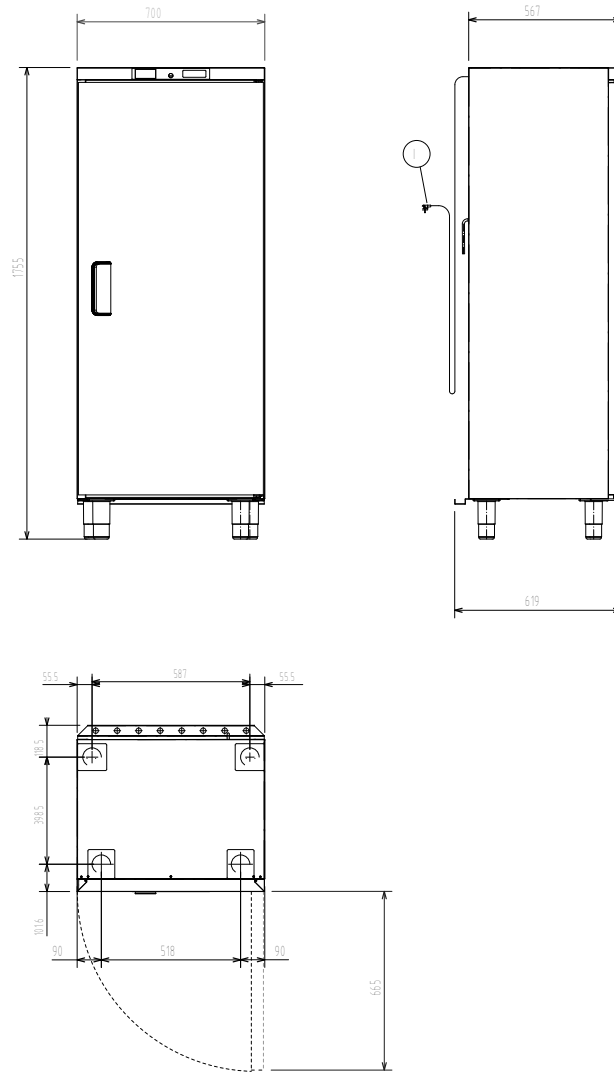
- ◆ High standards of hygiene and ease of cleaning are guaranteed by the white thermoformed polystyrene internal cell with rounded internal corners of the cabinet and thermoformed runners (excluded fish model) for an easy and safe positioning of the grids
- ◆ CFC and HCFC free; electromagnetic compatibility according to the EN 55014 and EN 55104 standards.



OPTIONAL ACCESSORIES					
ACCESSORIES	MODELS				
	R04PVF4 730188	R04NVF4 730182	R04NVF4F 730183	R04FSF4 730189	R04PVG4 730190
2 WHEELS FOR REFRIGERATORS/REFRIG.TABLES	880539	880539	880539	880539	880539
PAIR OF GRIDS (WHITE) FOR 400LT REFRIG.	880292	880292	880292		880292
PRINTER FOR HACCP BASIC VERSION REFRIG.	881457	881457	881457	881457	881457
PVC CONTAINER W/FALSE BOTTOM FOR 400 LT	881072	881072	881072	881072	881072



www.zanussiprofessional.com

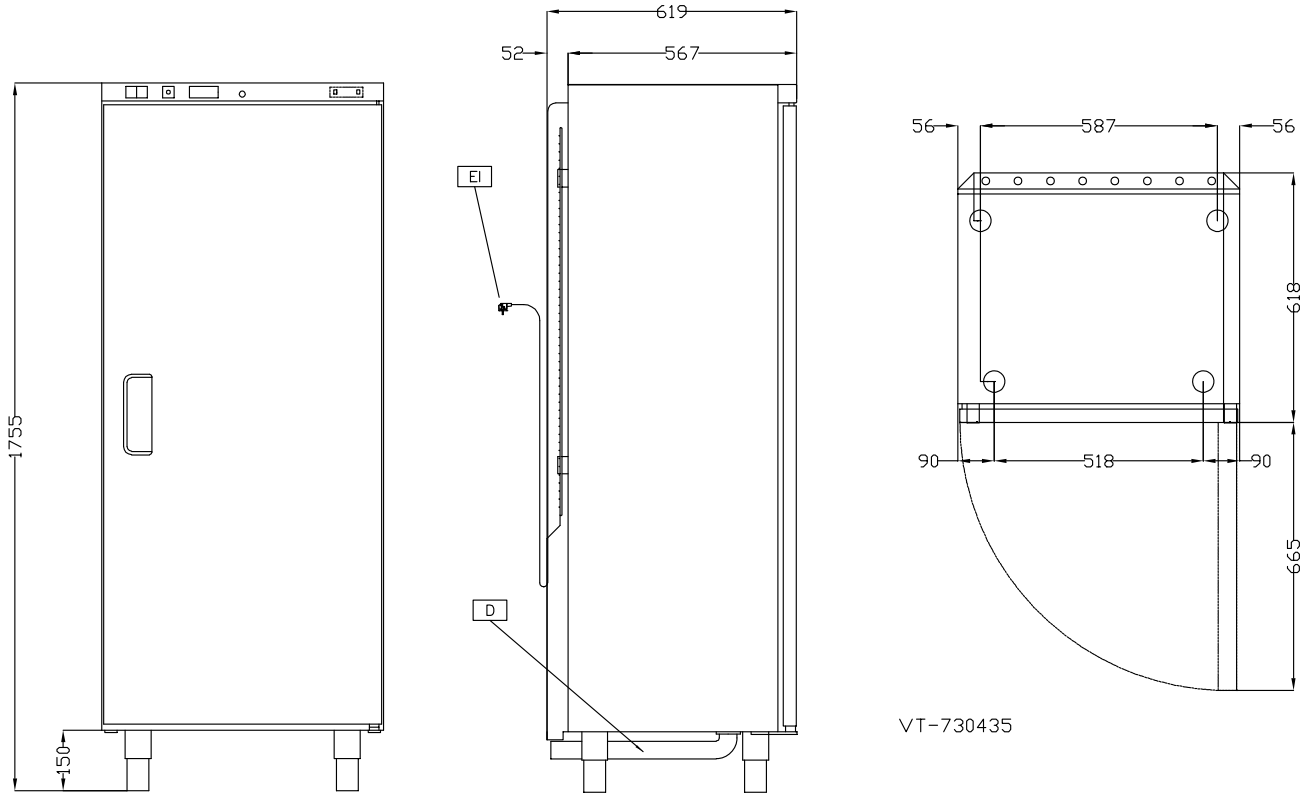


LEGEND

	R04PVF4 730188	R04NVF4 730182	R04FSF4 730189
EI - Electrical connection	230 V, 1N, 50	230 V, 1N, 50	230 V, 1N, 50



www.zanussiprofessional.com



LEGEND

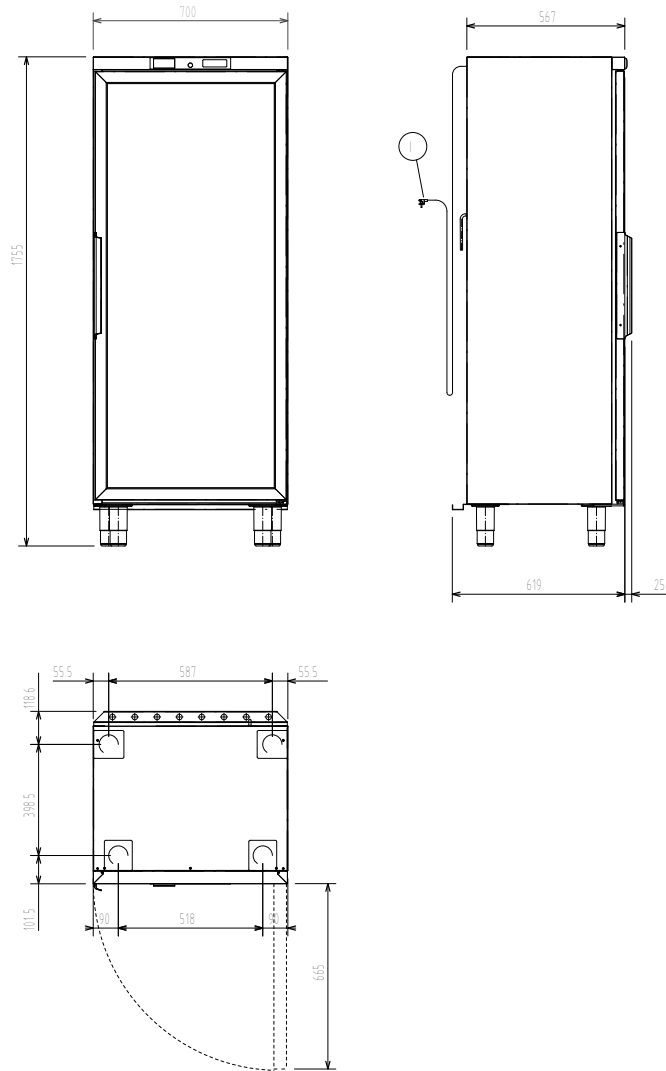
EI - Electrical connection

R04NVF4F
730183

230 V, 1N, 50



www.zanussiprofessional.com



LEGEND

	R04PVG4 730190
EI - Electrical connection	230 V, 1N, 50



www.zanussiprofessional.com